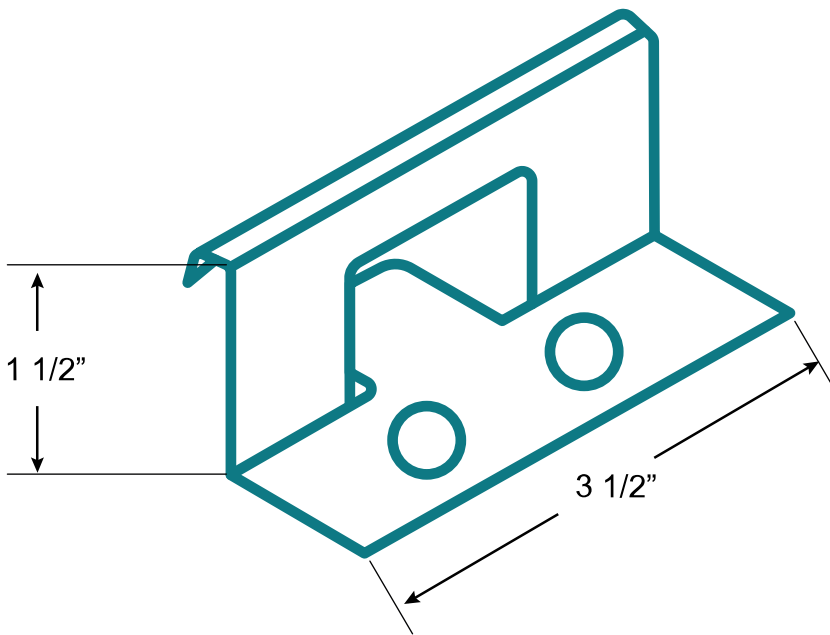
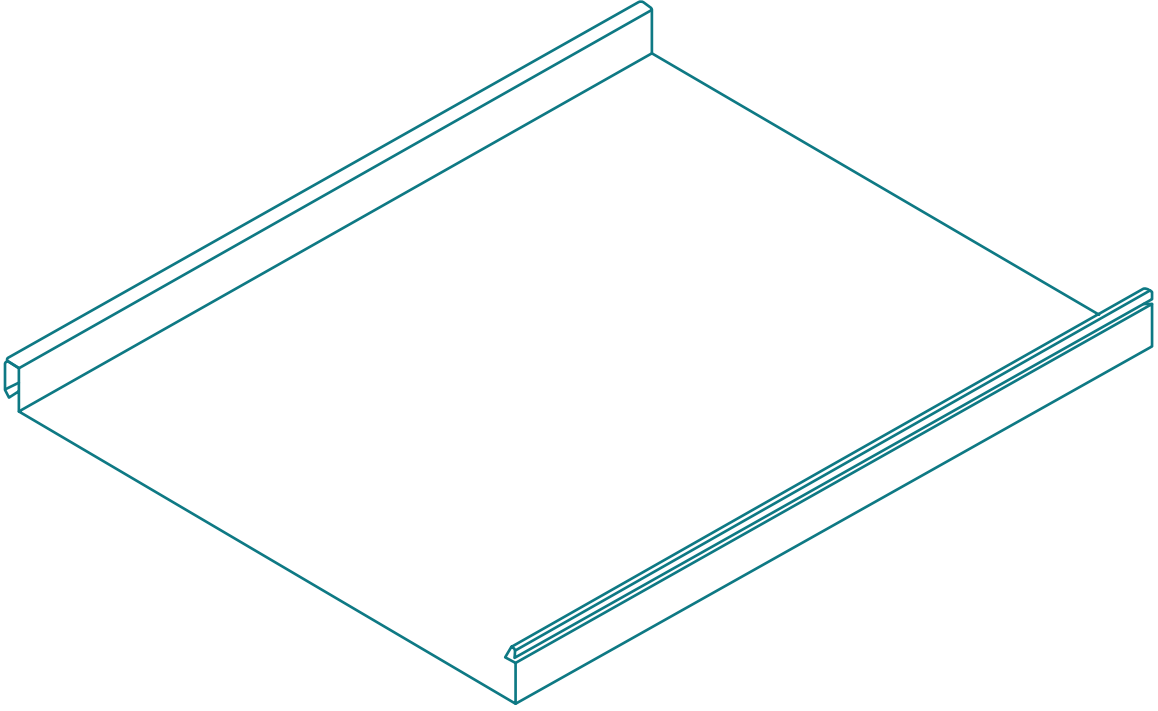
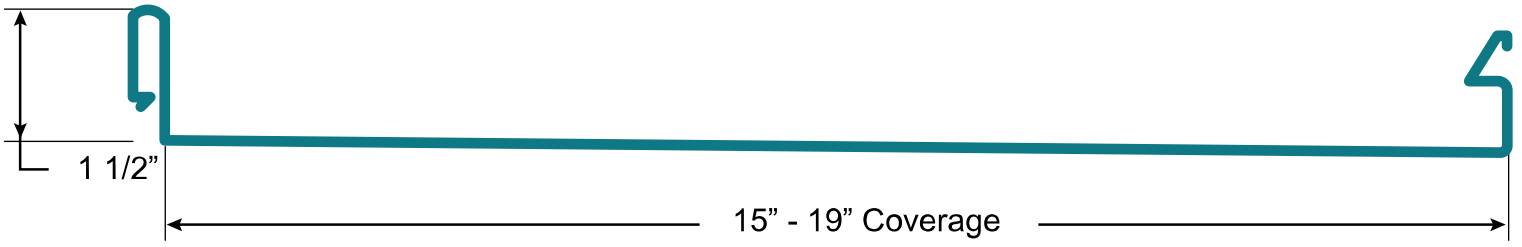


# DM Class 1700 1-1/2" Snaplock



## Panel design

