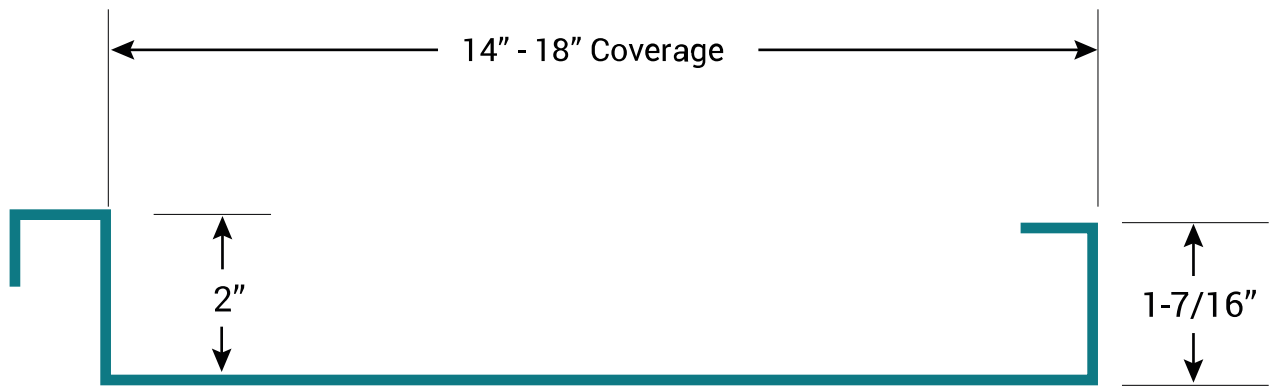
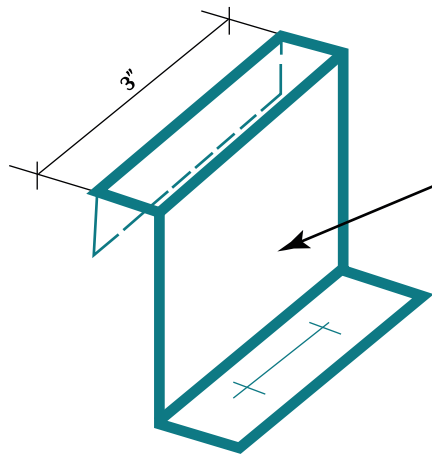
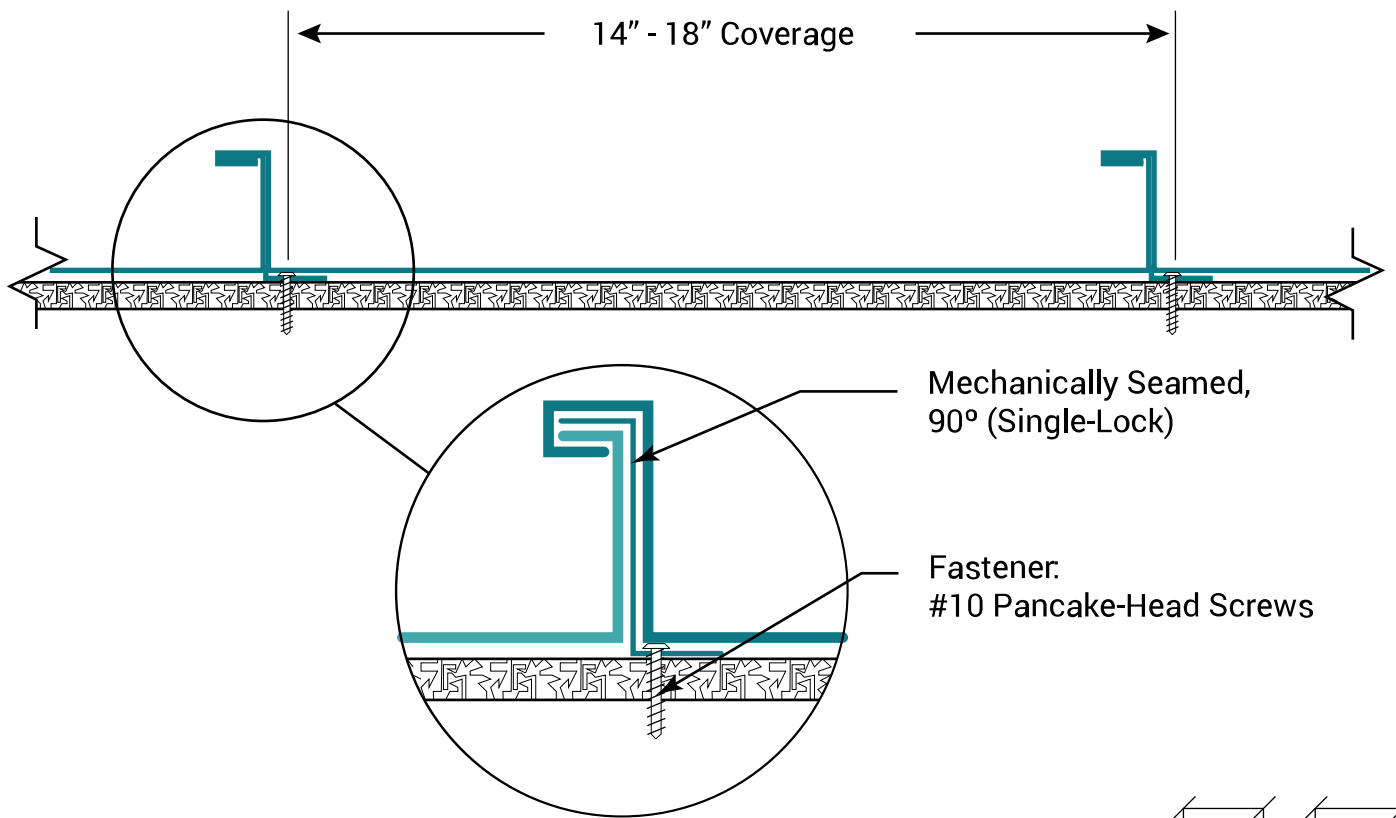


# DM Class 2000 2" Mechanical Seam

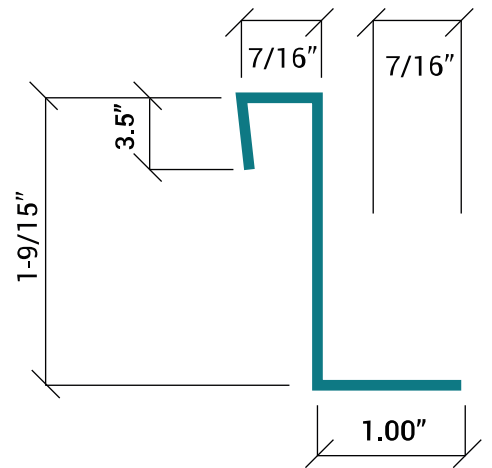


## Panel Profile



24 Gauge Galvanized Steel

## 3" Panel Clip Profile



Clip Isometric

Clip Profile

## Panel design

