

WOLTERS ENGINEERING

ENGINEERING, DRAFTING, CONSULTING

15211 97th Road N
West Palm Beach, FL 33412
Ph/Fx: (561) 225-1982

PRODUCT EVALUATION (FOR HVHZ APPROVED PRODUCT)

PRODUCT: **DM CLASS 2000 .032" ALUMINUM 2" MECHANICAL SEAM 18" WIDE
ROOF PANEL (FLPA# 27499.15)**

MANUFACTURER: DYNAMIC METALS, LLC
340 PIKE ROAD
WEST PALM BEACH, FL 33411

To all concerned,

The DM Class 2000 Series .032" Aluminum 2" Mechanical Seam 18" Wide Roof Panel, manufactured by Dynamic Metals LLC, is a non-structural Fluoropon coated aluminum roof panel (25 ksi min) that meets the requirements of Sections 1507.4 and 1518.9 of the 6th Edition (2017) Florida Building Code. The panel has been tested per TAS 100 and TAS 125 by Intertek, with results shown in test reports G3443.47-450-44 and H2689.02-450-44, and per TAS 110 by PRI Construction Materials Technologies, with results shown in test reports VLS-004-02-01 and VLS-005-02-01.

Technical Documentation:

1. Drawing "2MSA18-HZ" dated 8/15/19, signed and sealed by Scott Wolters, PE.
2. Test Reports listed above by Intertek signed and sealed by Vinu Abraham, PE, and by PRI Construction Materials Technologies signed and sealed by Zachary R Priest, PE.
3. Supplemental Calculations to support "2MSA18-HZ" drawing, signed and sealed by Scott Wolters, PE.

I have reviewed this submittal per the requirements of FAC Product Approval Rule Chapter 61G20-3.005 (4). Based on the limitations listed below and those provided in the documents above, this product meets all the requirements of the 6th Edition (2017) Florida Building Code generally, and chapter 15 specifically, including the HVHZ provisions.

Limitations: **This panel is approved for use inside and outside of the HVHZ.**

<u>Overall Limitations:</u>	Maximum Panel Width:	18"
	Minimum Rib Height:	2"
	Clip Anchors:	24 Ga galvanized steel, 3" long
Min. Slope:	HVHZ:	2"/12"
	Non-HVHZ:	1/2"/12"

	Field Installation	Perimeter & Corner Installation
Max. Design Pressure:	-167 psf	-200 psf
Clip Anchor Spacing:	4" From Ends, 19" Max. O.C.	4" From Ends, 9" Max. O.C.
Min Panel Fasteners:	#10x1" Panclip Fasteners (2) Per Clip	#10x1" Panclip Fasteners (2) Per Clip
	Panels are Seamed to 90°	Panels are Seamed to 90°

Fire Barrier: Where required by code, install an approved fire barrier. Refer to a current fire directory listing for fire ratings of this roofing system assembly as well as the location of the fire barrier within the assembly. (See note #2 below)

Note: Outside of the HVHZ, 1" round plastic caps may be used to prevent galvanic reactions.

Underlayment: Minimum ASTM D 226 Type II with 4" overlaps and 6" end-laps, anchored with 12 Ga. x 1 1/4" galvanized roof nails with 32 Ga. Tin caps spaced 6" O.C. in rows at the perimeter, at overlaps, and two intermediate rows staggered and spaced 12" O.C.
(or)
Any underlayment with a valid FLPA or Miami-Dade NOA

Note: Outside of the HVHZ, 1" round plastic caps may be used to prevent galvanic reactions.

Minimum Substrate: 1/2" (15/32" min) 4-ply CDX Plywood, nailed to 2x rafters spaced 24" max. O.C. with 8d ring-shank nails spaced 4" O.C.

Other Limitations:

1. Roof slope must meet requirements of FBC Sections 1507.4.2 or 1515.2.
2. Fire classification is not a part of this evaluation. Refer to a current Approved Roofing Materials Directory for fire ratings of this product.
3. Design of substrate is by others and is not a part of this evaluation.
4. Rational analysis, provided by a Florida licensed Architect/Engineer per FAS 61G20.3.005(e), may be used for project specific approval by the local authorities having jurisdiction.
5. All panels shall be permanently labeled with the manufacturer's name and/or logo, and the following statement, "Dynamic Metals FL# 27499.15, DM Class 2000".

Panel Forming:

These panels may be jobsite roll formed with the following Dynamic Metals machines, per approval of 3rd party QA provider, to the dimensions shown on Drawing 2MSA18-HZ:

SSQ-6800617
SSQ-6690517
5VC-0490718

SSQ-5150216
SSQ-4560615
5VC-0360516

SSQ-6810617
SSQ-8681118
5VC-0521218

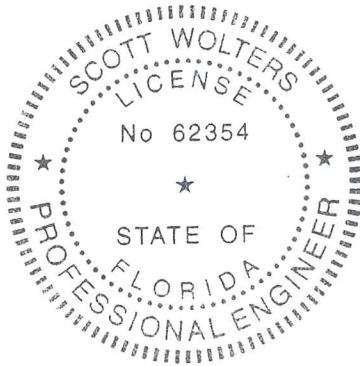
Re-Roofing:

The DM Class2000 Series .032" Aluminum 2" Mechanical Seam 18" Wide Roof Panel may be installed over a single layer of existing asphalt shingles, provide the existing roof meets the requirements of Section 1521 (HVHZ) or Section 1511 (outside of HVHZ) of the Florida Building Code.

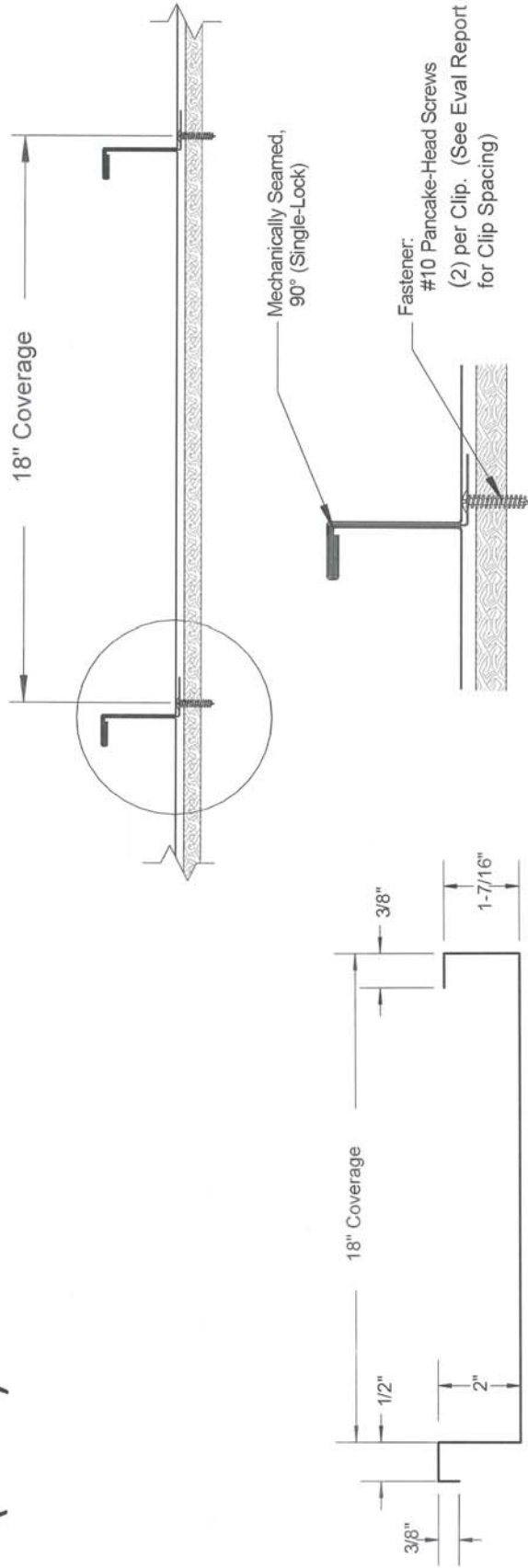
If you have any questions or need more information concerning this approval please contact me.

Thank you,

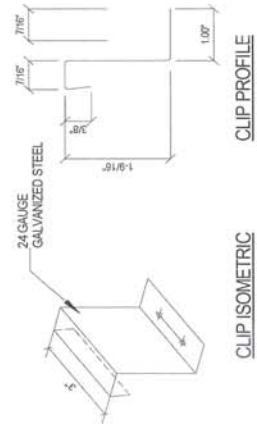

Scott Wolters
FL PE# 62354
AUG 16 2019



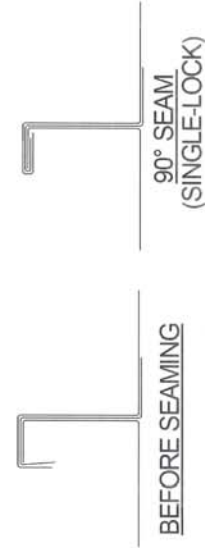
DM CLASS 2000 2" MECHANICAL SEAM 0.032" ALUMINUM ROOF PANEL, 18" WIDE (HVHZ)



Panel Profile



3" Panel Clip Profile



DYNAMIC METALS

340 PIKE ROAD
WEST PALM BEACH, FL 33782
PH: (561) 629-7288
www.dynamictmetals.net
FAX: (561) 629-7291
EMAIL: info@dynamictmetals.net



DWG: 2MSA18-HZ
SHEET: 1/1



SCOTT WOLTERS
FL PE# 62354
WOLTERS ENGINEERING
(COA# 27194)
15211 97TH ROAD N
WEST PALM BEACH, FL 33411
(561) 229-1982

DATE	REV.#	NAME	PRINTS ISSUED FOR
8/15/19		1ST SUBMITTAL	
8/18/18			