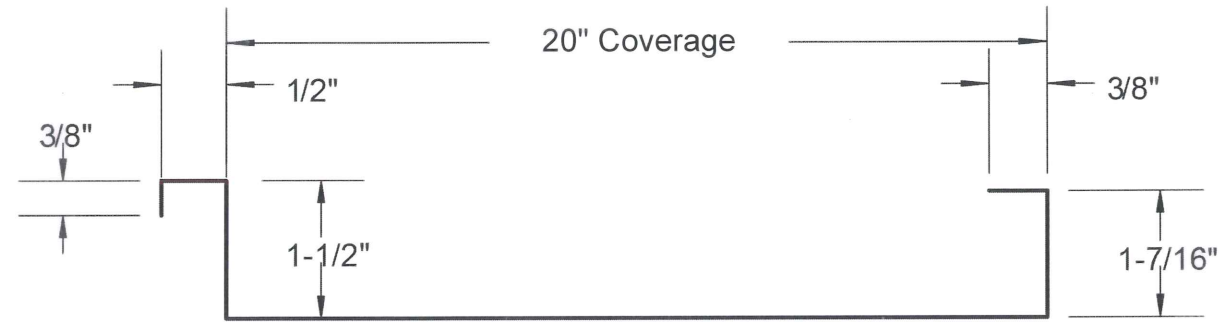
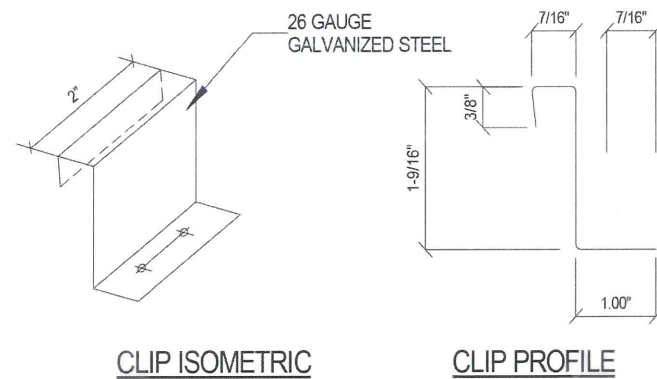


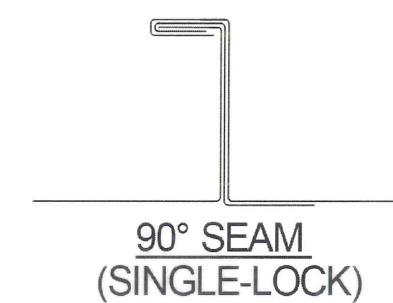
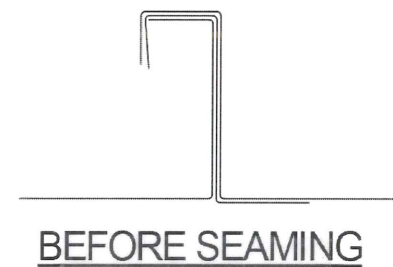
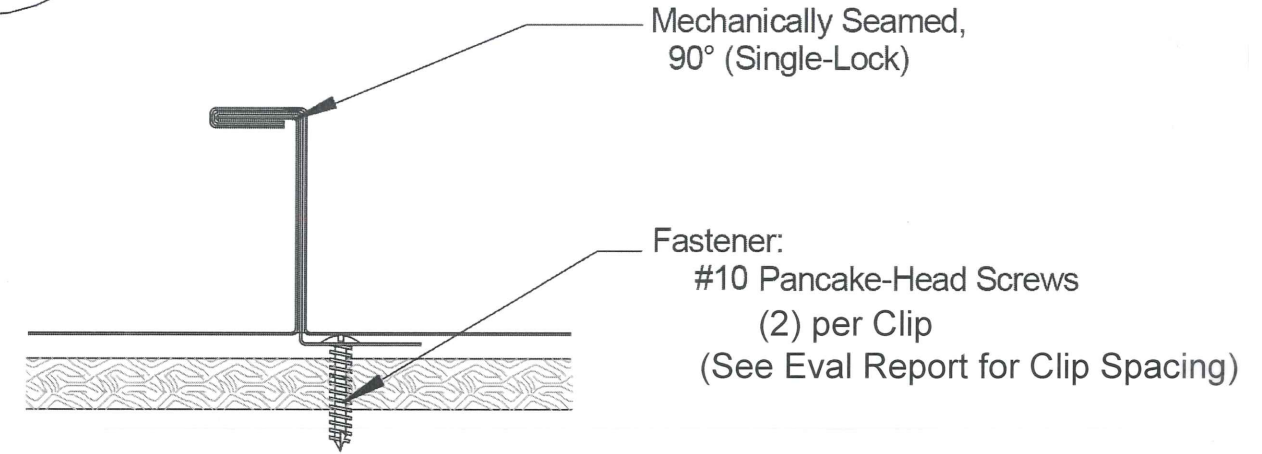
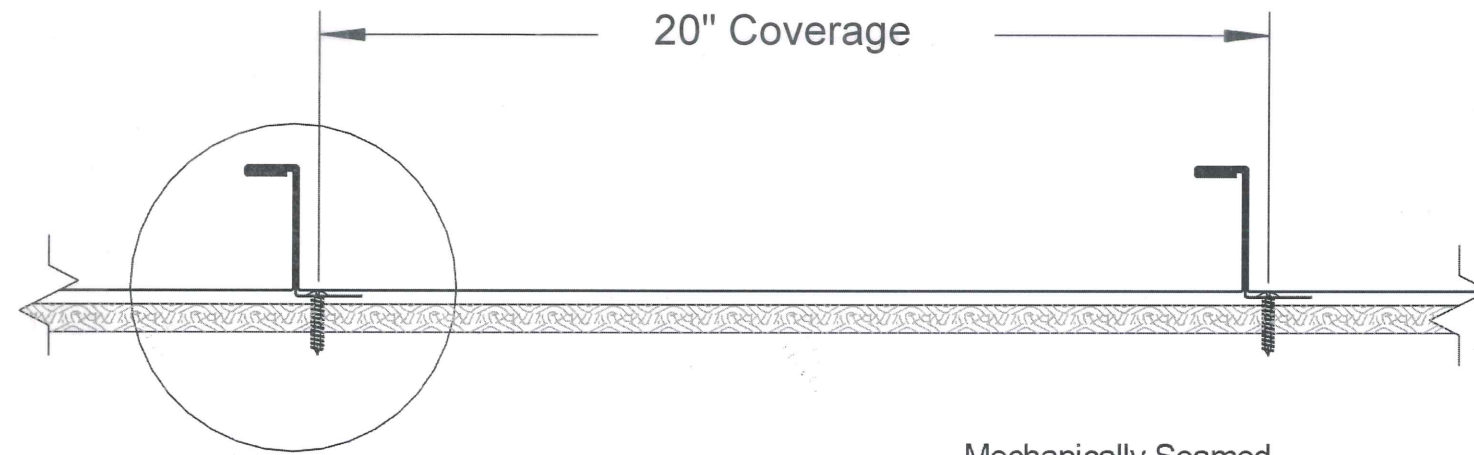
# DM CLASS 1500 1 1/2" MECHANICAL SEAM 0.032" ALUMINUM ROOF PANEL, 20" WIDE (HVHZ)



Panel Profile



2" Panel Clip Profile



SCOTT WALTERS  
FL PE# 62354

WALTERS ENGINEERING  
(COA# 27194)  
15211 97TH ROAD N  
WEST PALM BEACH, FL 33412  
(561) 225-1982

**DYNAMIC METALS**

340 PIKE ROAD  
WEST PALM BEACH, FL 33782  
PH: (561) 629-7288

www.dynamicmetal.net  
FAX: (561) 629-7291  
EMAIL: info@dynamicmetal.net



DWG: 15MSA20-HZ  
SHEET: 1/1

NAME CHANGE	8/15/19
1ST SUBMITTAL	6/18/18
PRINTS ISSUED FOR REV.#	DATE