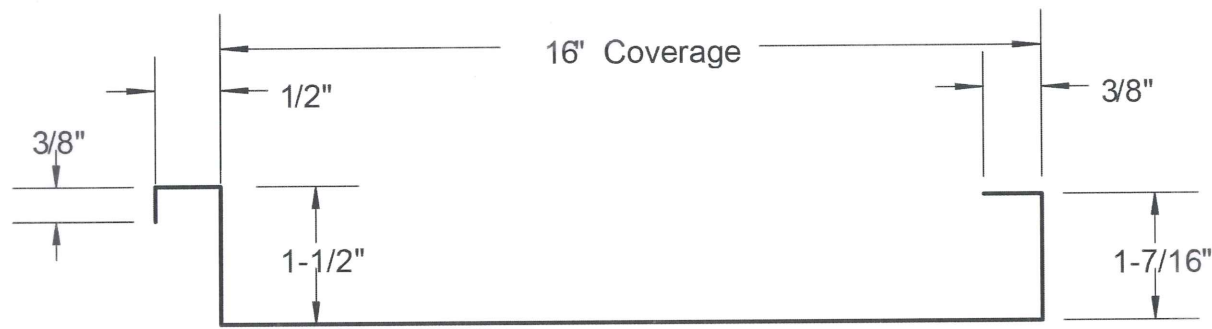
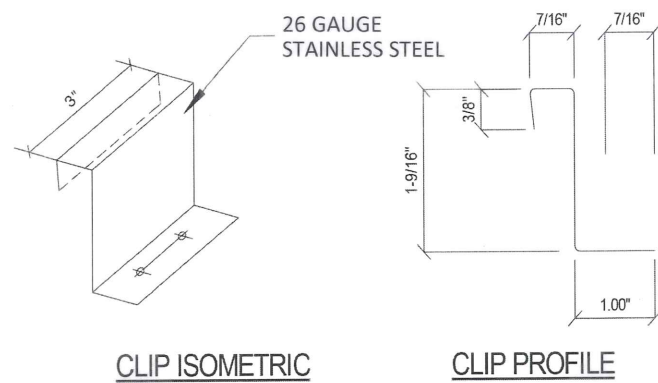


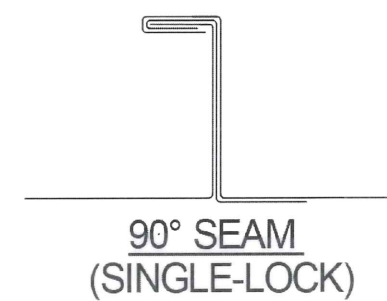
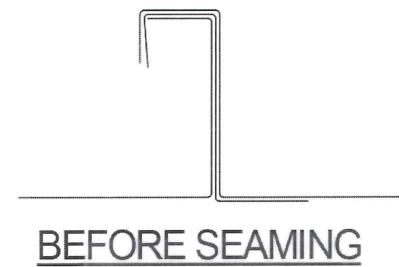
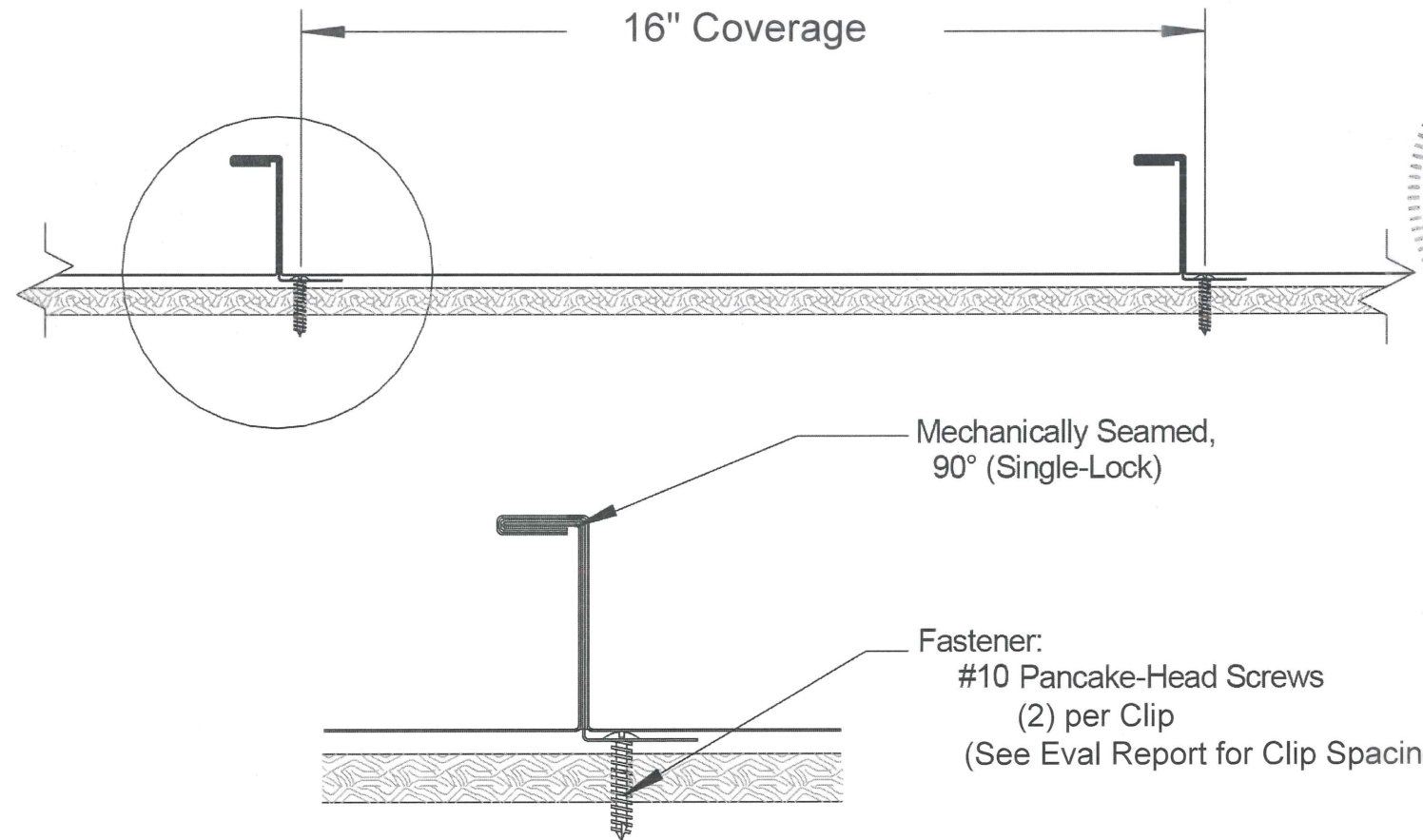
DM CLASS 1500 1 1/2" MECHANICAL SEAM 16 OZ COPPER ROOF PANEL, 16" WIDE (HVHZ)



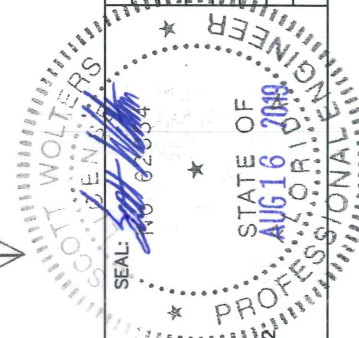
Panel Profile



3" Panel Clip Profile



DATE	8/15/19
PRINTS ISSUED FOR REV.#	6/18/18
1ST SUBMITTAL	
NAME CHANGE	



SCOTT WOLTERS
 PROFESSIONAL ENGINEER
 STATE OF FLORIDA
 NO. 33412
 AUG 16 2019

SCOTT WOLTERS
 FL PE# 62354
 WOLTERS ENGINEERING
 (COA# 27194)
 15211 97TH ROAD N
 WEST PALM BEACH, FL 33412
 (561) 225-1982



DYNAMIC METALS
 www.dynamicmetal.net
 340 PIKE ROAD
 WEST PALM BEACH, FL 33782
 PH: (561) 629-7288
 FAX: (561) 629-7291
 EMAIL: info@dynamicmetal.net

DWG: 15MSC-HZ
 SHEET: 1/1