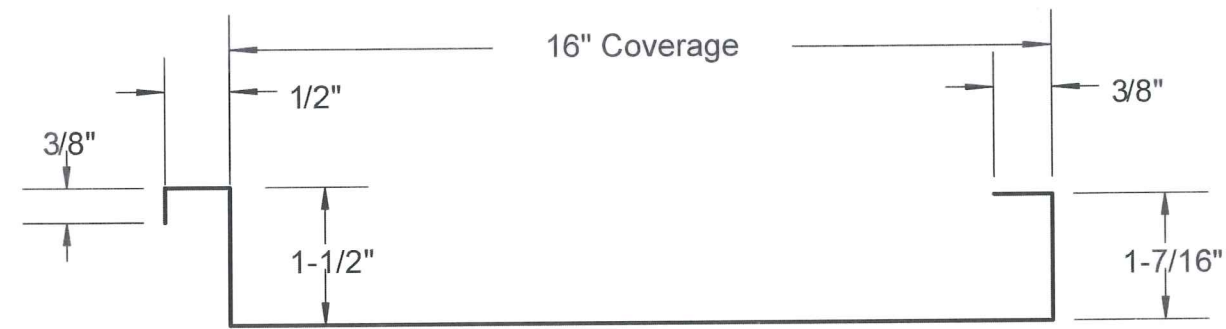
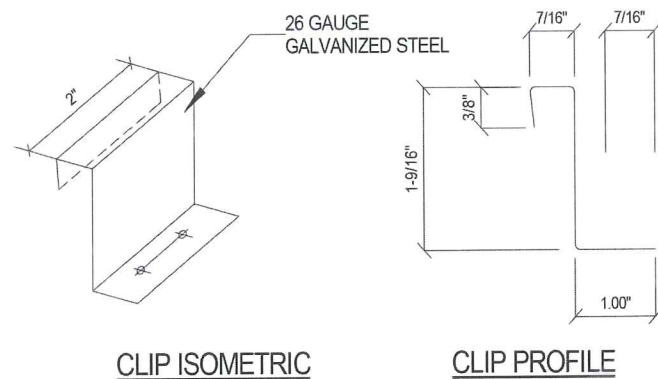


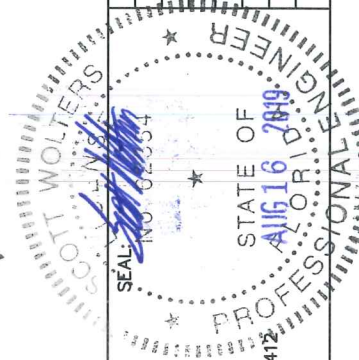
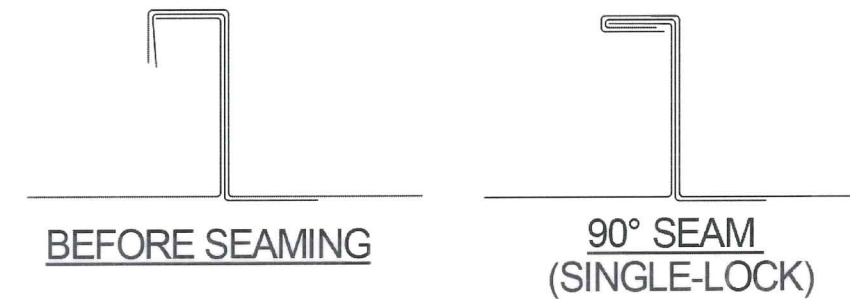
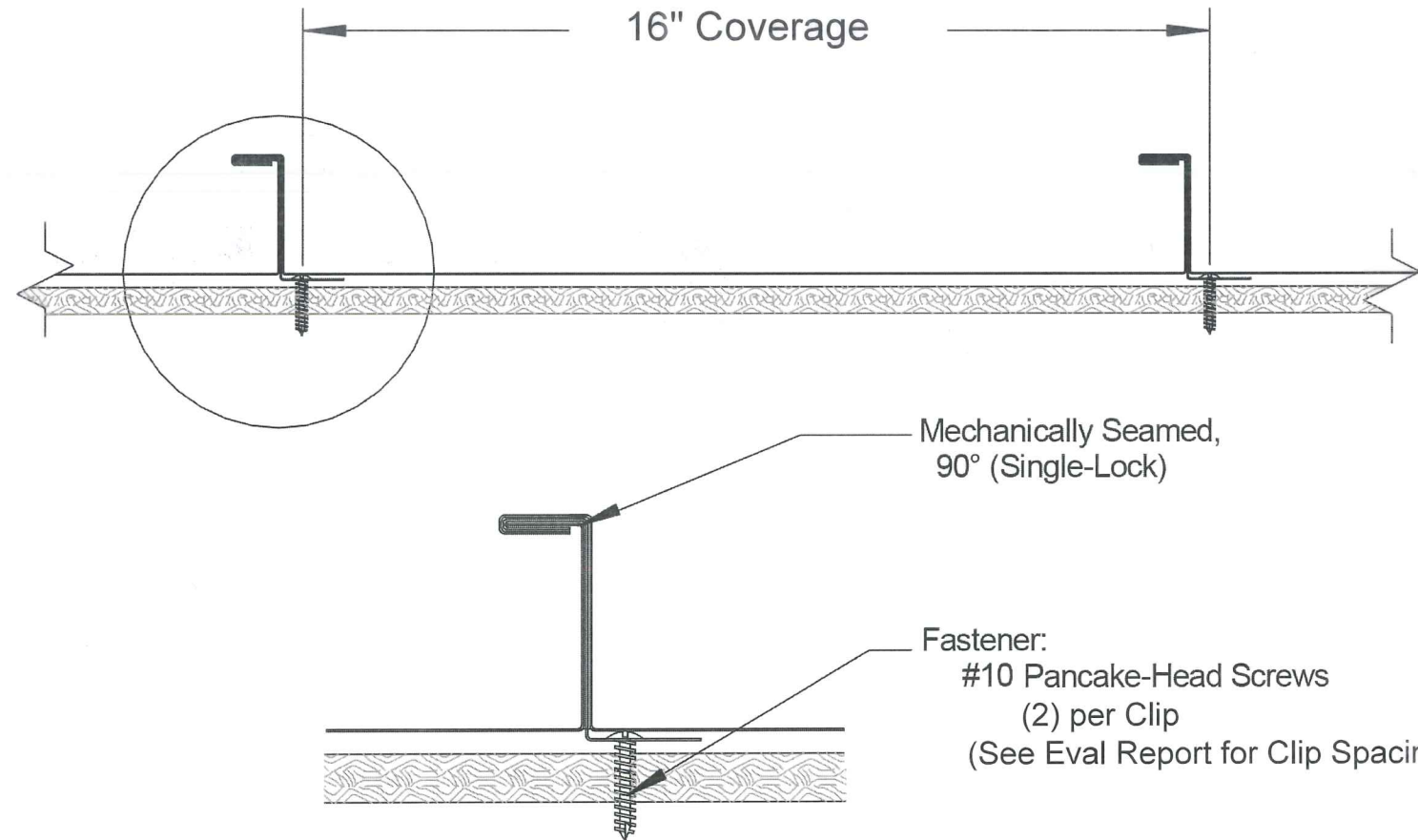
DM CLASS 1500 1 1/2" MECHANICAL SEAM 24 Ga. GALVALUME COATED STEEL ROOF PANEL, 16" WIDE (HVHZ)



Panel Profile



2" Panel Clip Profile



SCOTT WALTERS
 FL PE# 62354
 WALTERS ENGINEERING
 (COA# 27194)
 15211 97TH ROAD N
 WEST PALM BEACH, FL 33412
 (561) 225-1982

DYNAMIC METALS

www.dynamicmetal.net
 340 PIKE ROAD
 WEST PALM BEACH, FL 33782
 PH: (561) 629-7288
 FAX: (561) 629-7291
 EMAIL: info@dynamicmetal.net



DWG: 15MSS16-HZ
 SHEET: 1/1

REV#	DESCRIPTION	DATE
1	NAME CHANGE	8/15/19
2	1ST SUBMITTAL	6/18/18
3	PRINTS ISSUED FOR REV.#	