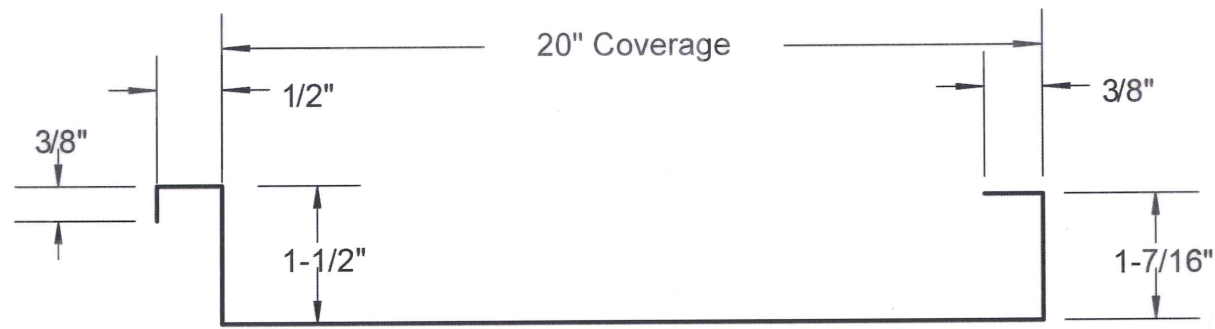
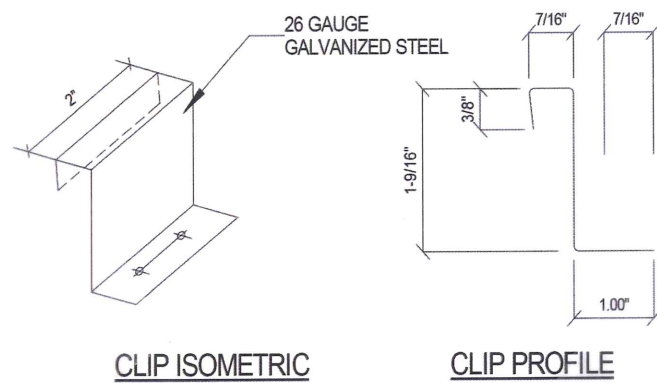


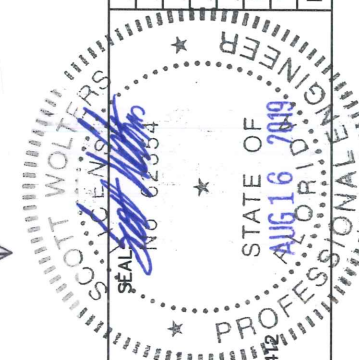
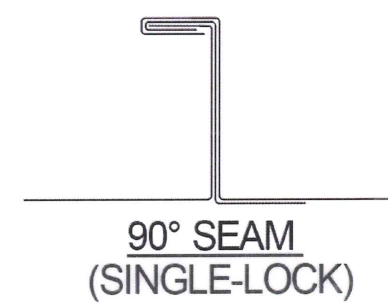
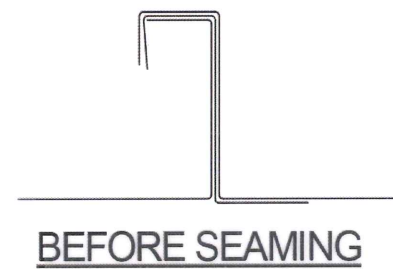
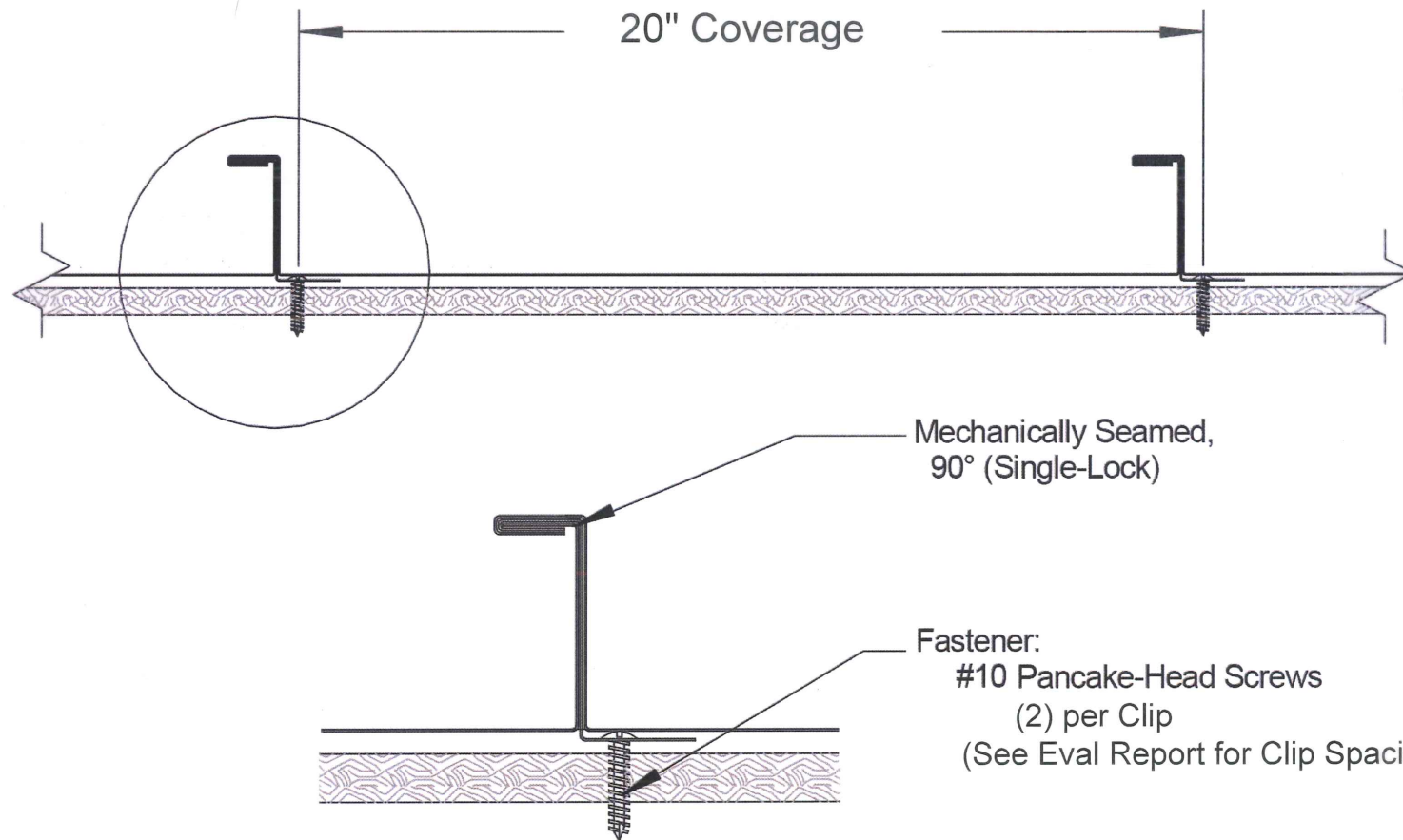
# DM CLASS 1500 1 1/2" MECHANICAL SEAM 24 Ga. GALVALUME COATED STEEL ROOF PANEL, 20" WIDE (HVHZ)



Panel Profile



2" Panel Clip Profile



SCOTT WOLTERS  
 FL PE# 62354  
 WOLTERS ENGINEERING  
 (COA# 27194)  
 15211 97TH ROAD N  
 WEST PALM BEACH, FL 33412  
 (561) 225-1982

**DYNAMIC METALS**

www.dynamicmetal.net  
 340 PIKE ROAD  
 WEST PALM BEACH, FL 33782  
 PH: (561) 629-7288  
 FAX: (561) 629-7291  
 EMAIL: info@dynamicmetal.net



DWG: 15MSS20-HZ  
 SHEET: 1/1

REV.	DATE	DESCRIPTION
1	8/15/19	NAME CHANGE
2	6/18/18	1ST SUBMITTAL
3		PRINTS ISSUED FOR REV.#