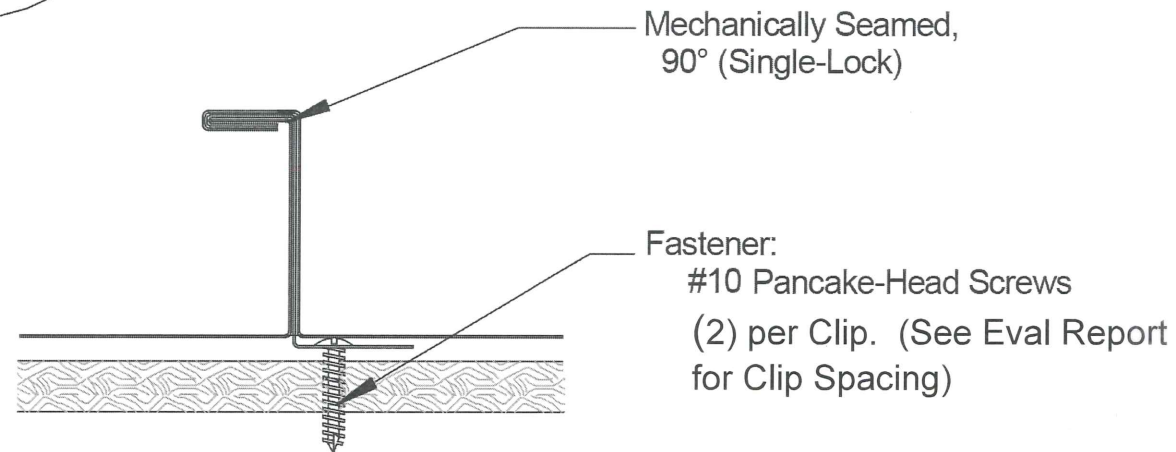
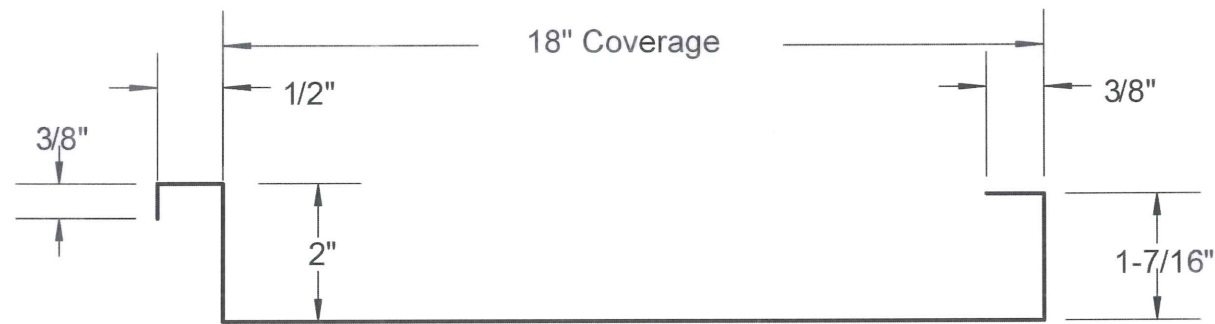
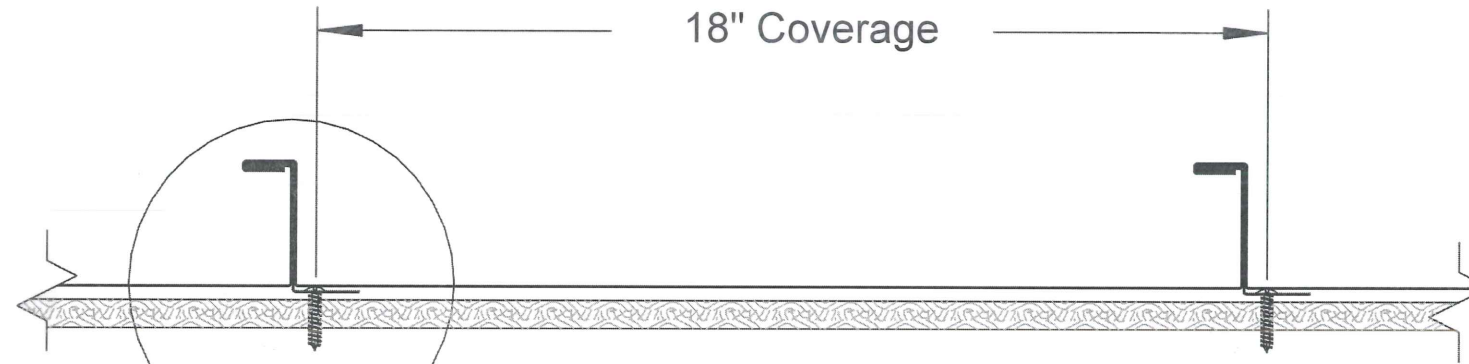
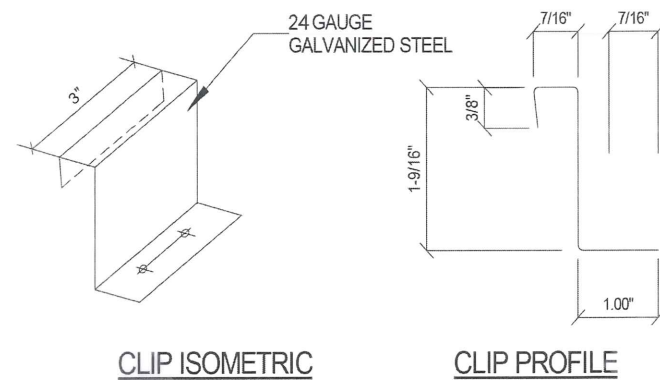


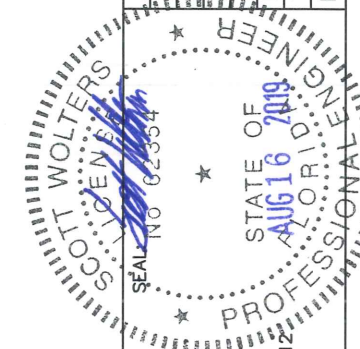
DM CLASS 2000 2" MECHANICAL SEAM 0.032" ALUMINUM ROOF PANEL, 18" WIDE (HVHZ)



Panel Profile



3" Panel Clip Profile



REV #	DATE	DESCRIPTION
1	8/15/19	NAME CHANGE
2	6/18/18	1ST SUBMITTAL
3		PRINTS ISSUED FOR REV #

SCOTT WALTERS
FL PE# 62354

WALTERS ENGINEERING
(CO.# 27194)
15211 97TH ROAD N
WEST PALM BEACH, FL 33412
(561) 225-1982

DYNAMIC METALS

www.dynamicmetal.net
340 PIKE ROAD
WEST PALM BEACH, FL 33782
PH: (561) 629-7288

FAX: (561) 629-7291
EMAIL: info@dynamicmetal.net

