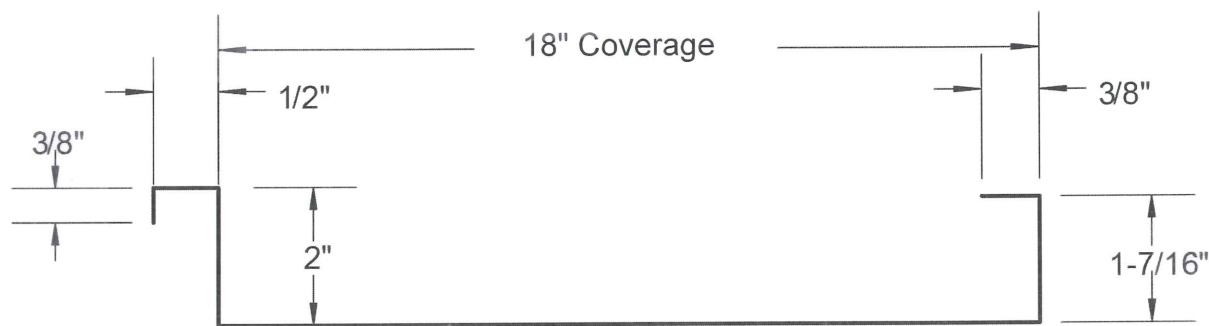
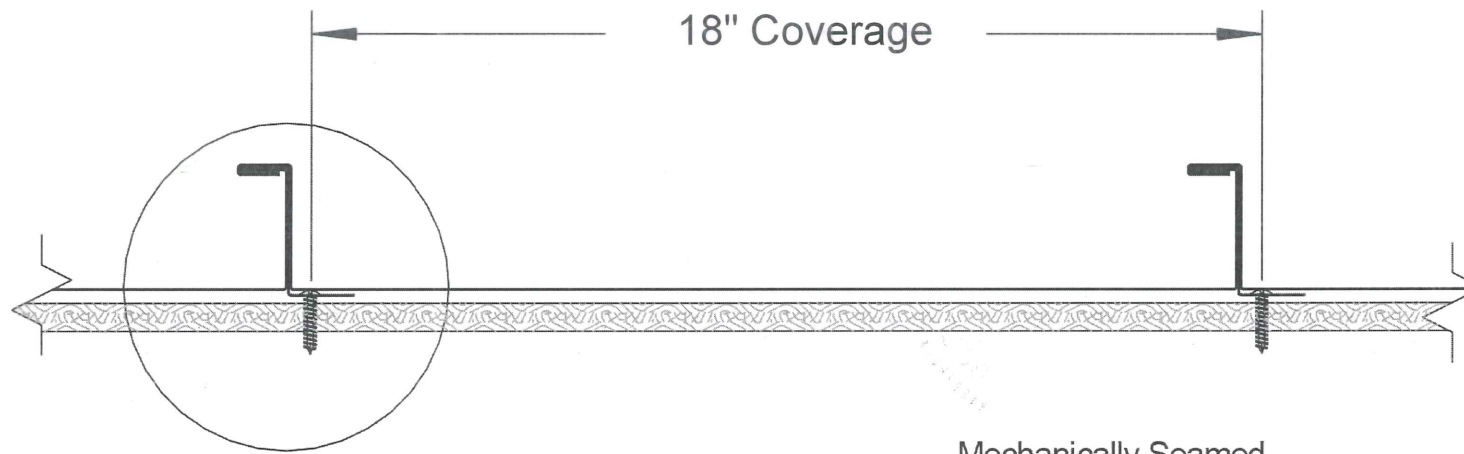
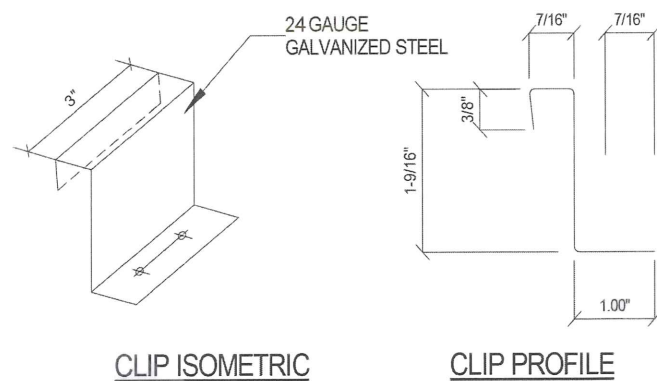


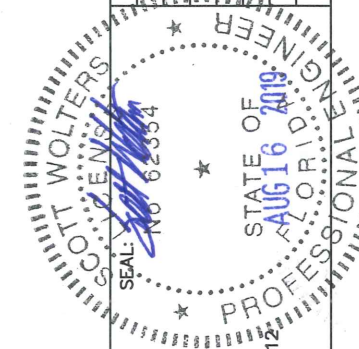
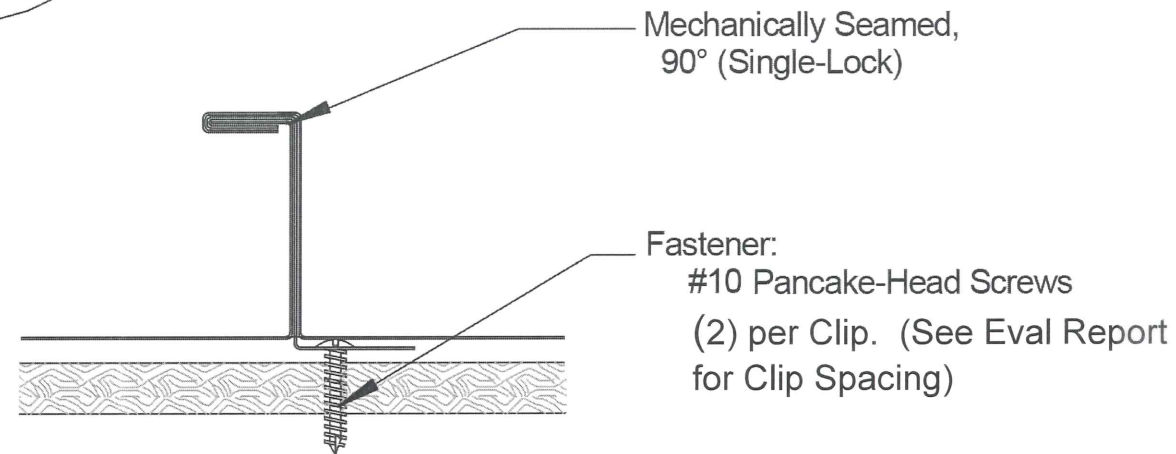
DM CLASS 2000 2" MECHANICAL SEAM 24 Ga. GALVALUME COATED STEEL ROOF PANEL, 18" WIDE (HVHZ)



Panel Profile



3" Panel Clip Profile



SCOTT WOLTERS
FL PE# 62354
WOLTERS ENGINEERING
(COA# 27194)
15211 97TH ROAD N
WEST PALM BEACH, FL 33412
(561) 225-1982

DYNAMIC METALS

www.dynamicmetal.net
340 PIKE ROAD WEST PALM BEACH, FL 33782 PH: (561) 629-7288
FAX: (561) 629-7291 EMAIL: info@dynamicmetal.net



DWG: 2MSS18-HZ
SHEET: 1/1

REV	DESCRIPTION	DATE
1	NAME CHANGE	8/15/19
2	1ST SUBMITTAL	6/18/18
3	PRINTS ISSUED FOR REV.#	