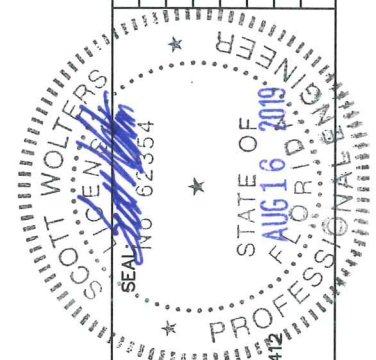
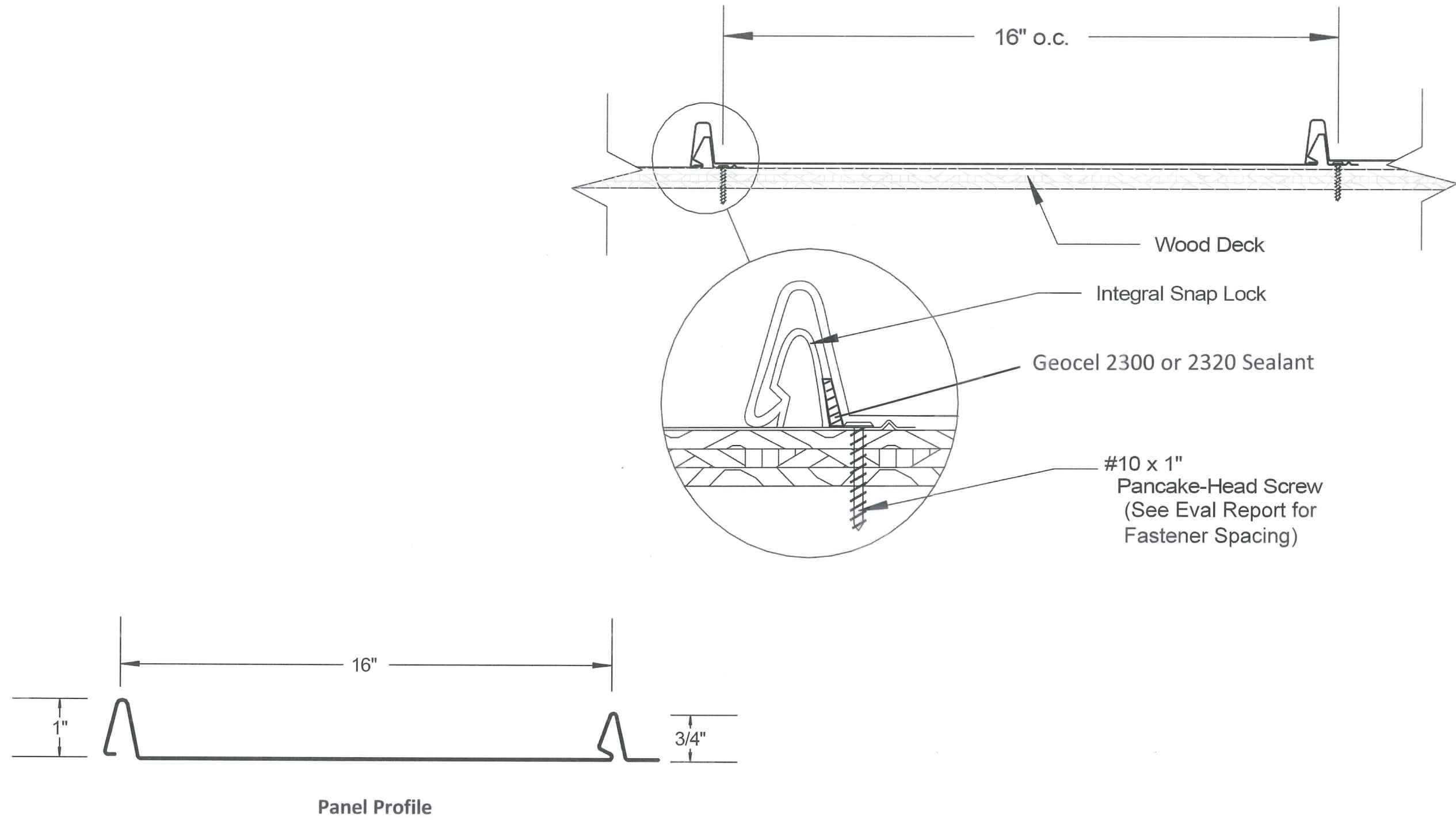


DM CLASS 1000 1" NAILSTRIP 16" WIDE 0.032" ALUMINUM ROOF PANEL (HVHZ)



SCOTT WOLTERS
FL PE# 62354

WOLTERS ENGINEERING
(COA# 27194)
15211 97TH ROAD N
WEST PALM BEACH, FL 33412
(561) 225-1982

DYNAMIC METALS

340 PIKE ROAD
WEST PALM BEACH, FL 33782
PH: (561) 629-7288

www.dynamicmetal.net
FAX: (561) 629-7291
EMAIL: info@dynamicmetal.net



DWG: **NSA16-HZ**
SHEET: 1/1

REV	DATE	DESCRIPTION
1	8/15/19	NAME CHANGE
2	6/18/18	1ST SUBMITTAL
3		PRINTS ISSUED FOR REV.#