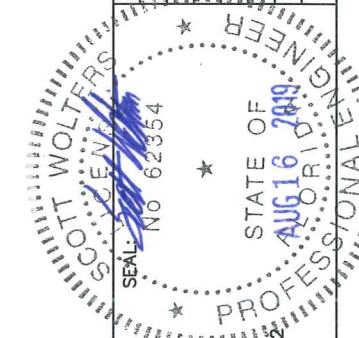
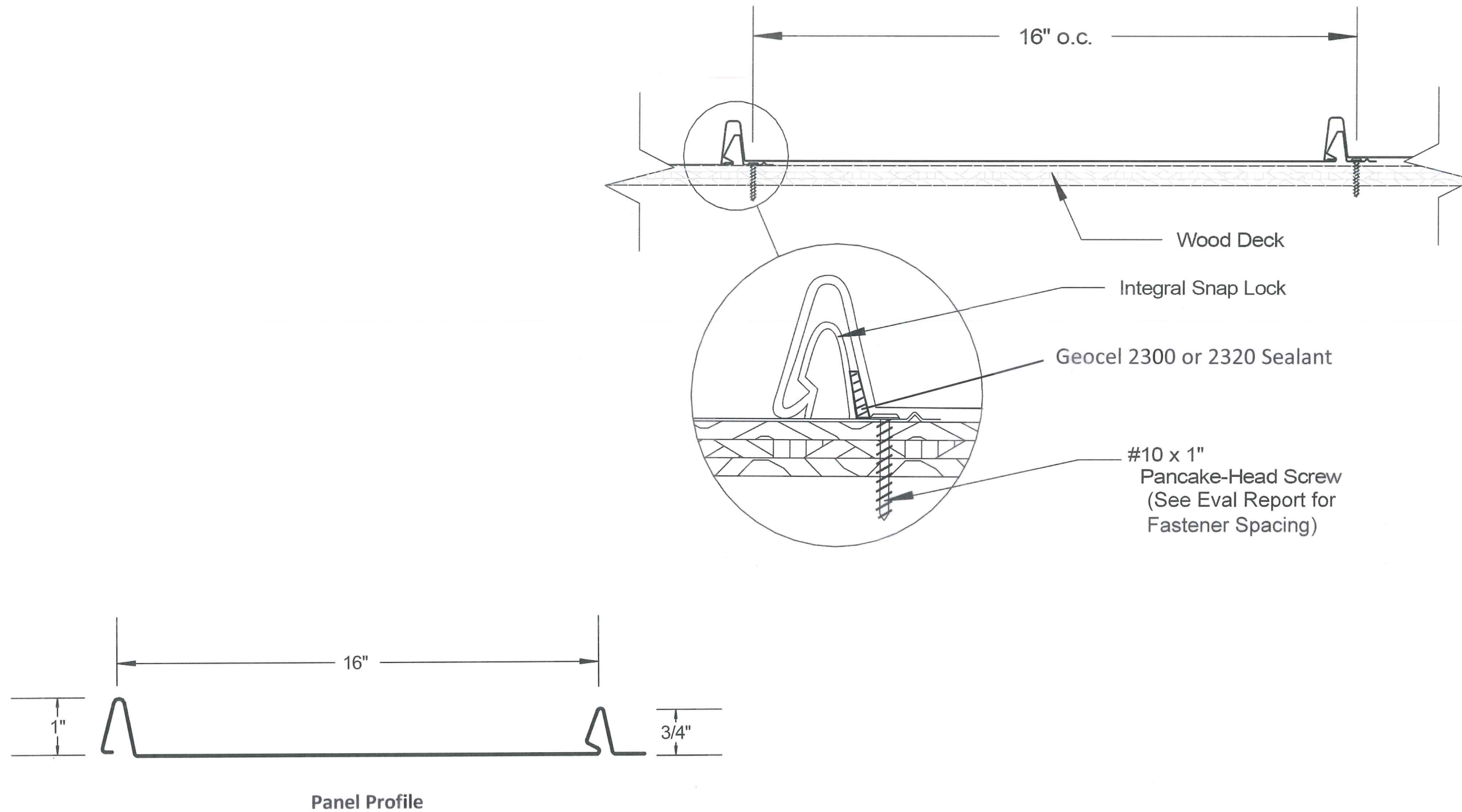


DM CLASS 1000 1" NAILSTRIP 16" WIDE 26 GA. GALVALUME ROOF PANEL (HVHZ)



SCOTT WOLTERS
FL PE# 62354

WOLTERS ENGINEERING
(COA# 27194)
15211 97TH ROAD N
WEST PALM BEACH, FL 33412
(561) 225-1982

DYNAMIC METALS

340 PIKE ROAD
WEST PALM BEACH, FL 33782
PH: (561) 629-7288

www.dynamicmetal.net
FAX: (561) 629-7291
EMAIL: info@dynamicmetal.net



DWG: NSS16-HZ
SHEET: 1/1

REV.#	DESCRIPTION	DATE
1	NAME CHANGE	8/15/19
2	1ST SUBMITTAL	6/18/18
3	PRINTS ISSUED FOR REV.#	