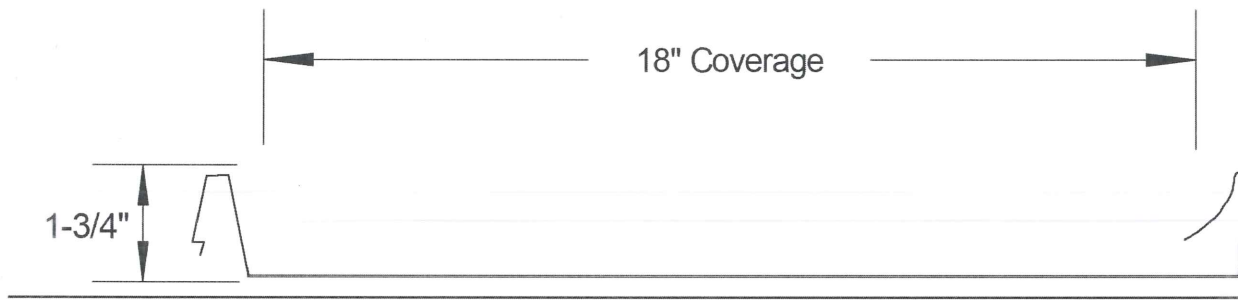
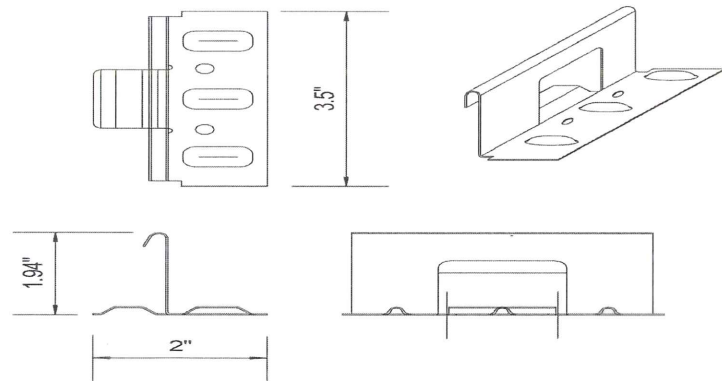


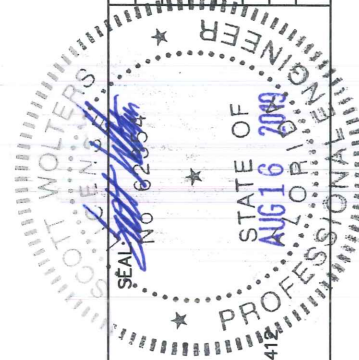
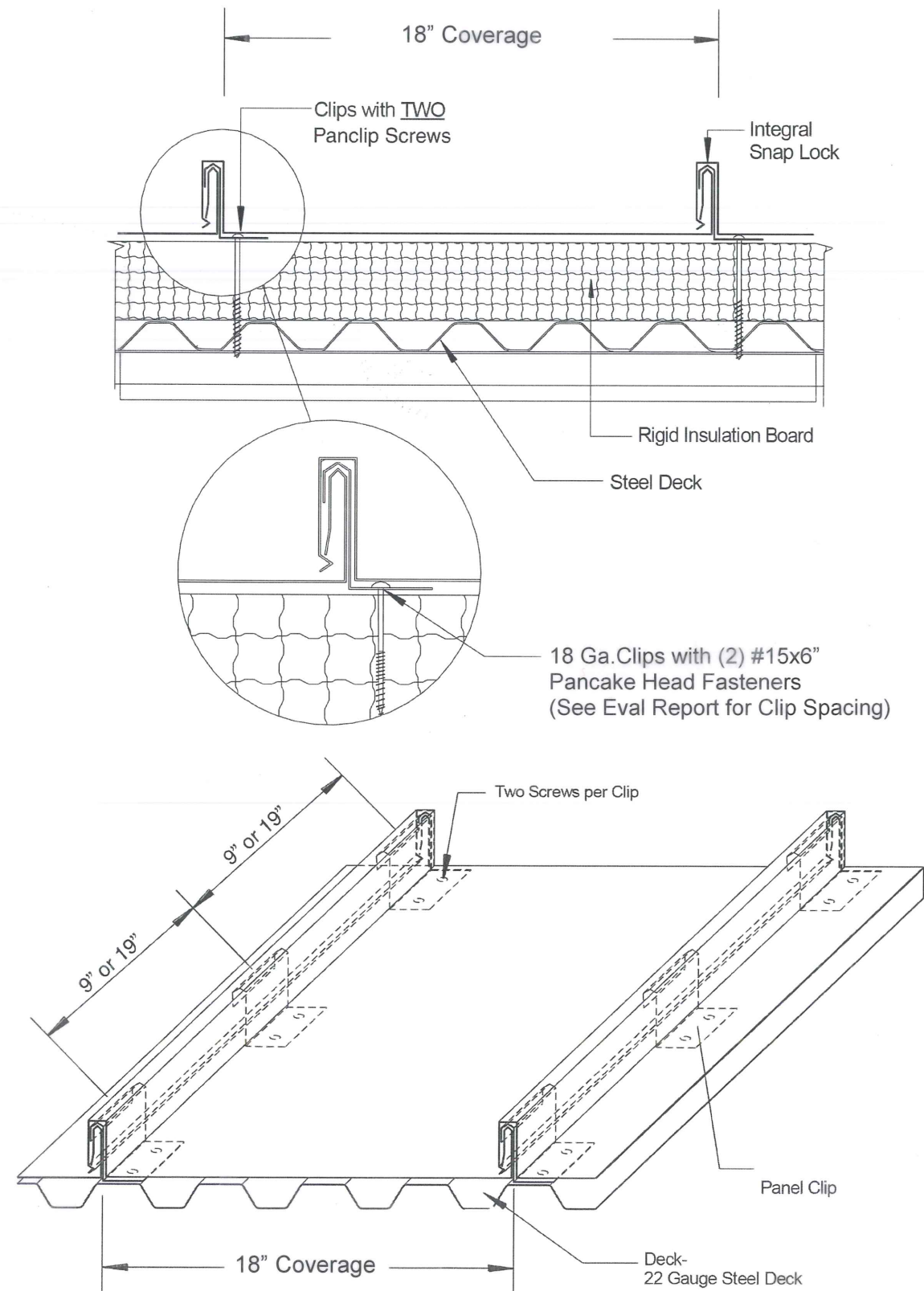
DM CLASS 1750 1 3/4" SNAPLOCK 18" WIDE 0.032" ALUMINUM ROOF PANEL, OVER B-DECK (HVHZ)



Typical Panel Profile



18 GA Galvanized Clip



SCOTT WOLTERS
FL PE# 62354
WOLTERS ENGINEERING
(COA# 27194)
15211 97TH ROAD N 33412
WEST PALM BEACH, FL
(561) 225-1982

DYNAMIC METALS

www.dynamicmetal.net
340 PIKE ROAD
WEST PALM BEACH, FL 33782
PH: (561) 629-7288
FAX: (561) 629-7291
EMAIL: info@dynamicmetal.net



DWG: SLA18BD-HZ
SHEET: 1/1

REV#	DESCRIPTION	DATE
1	NAME CHANGE	8/15/19
2	1ST SUBMITTAL	6/18/18
3	PRINTS ISSUED FOR REV#	