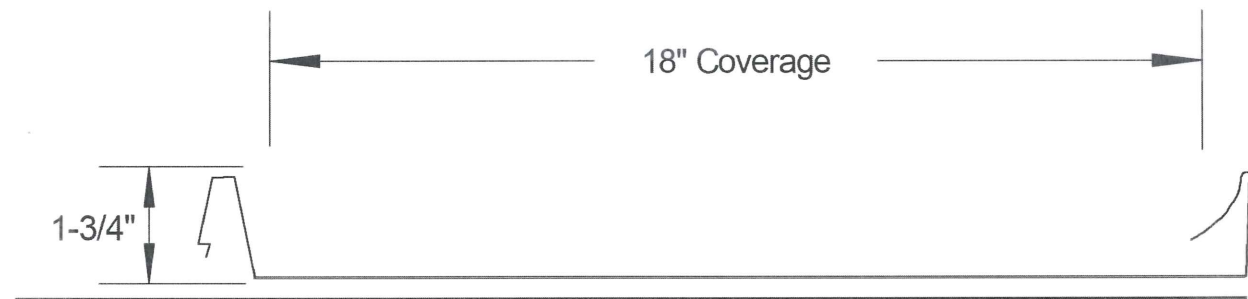
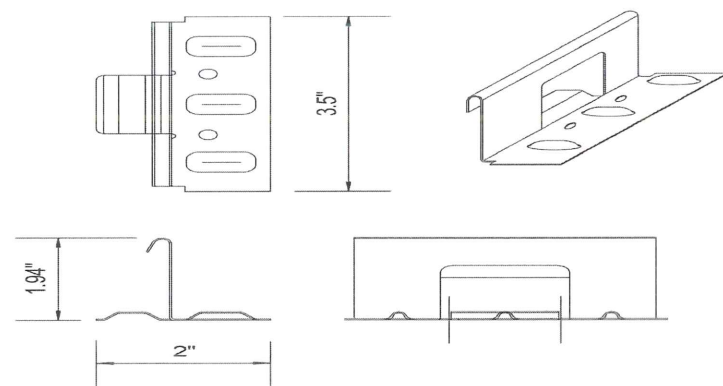


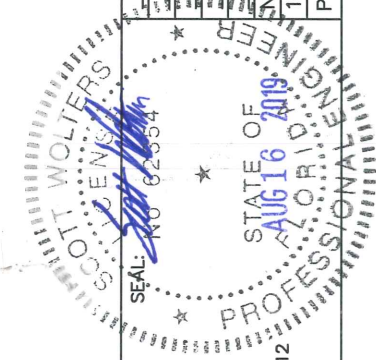
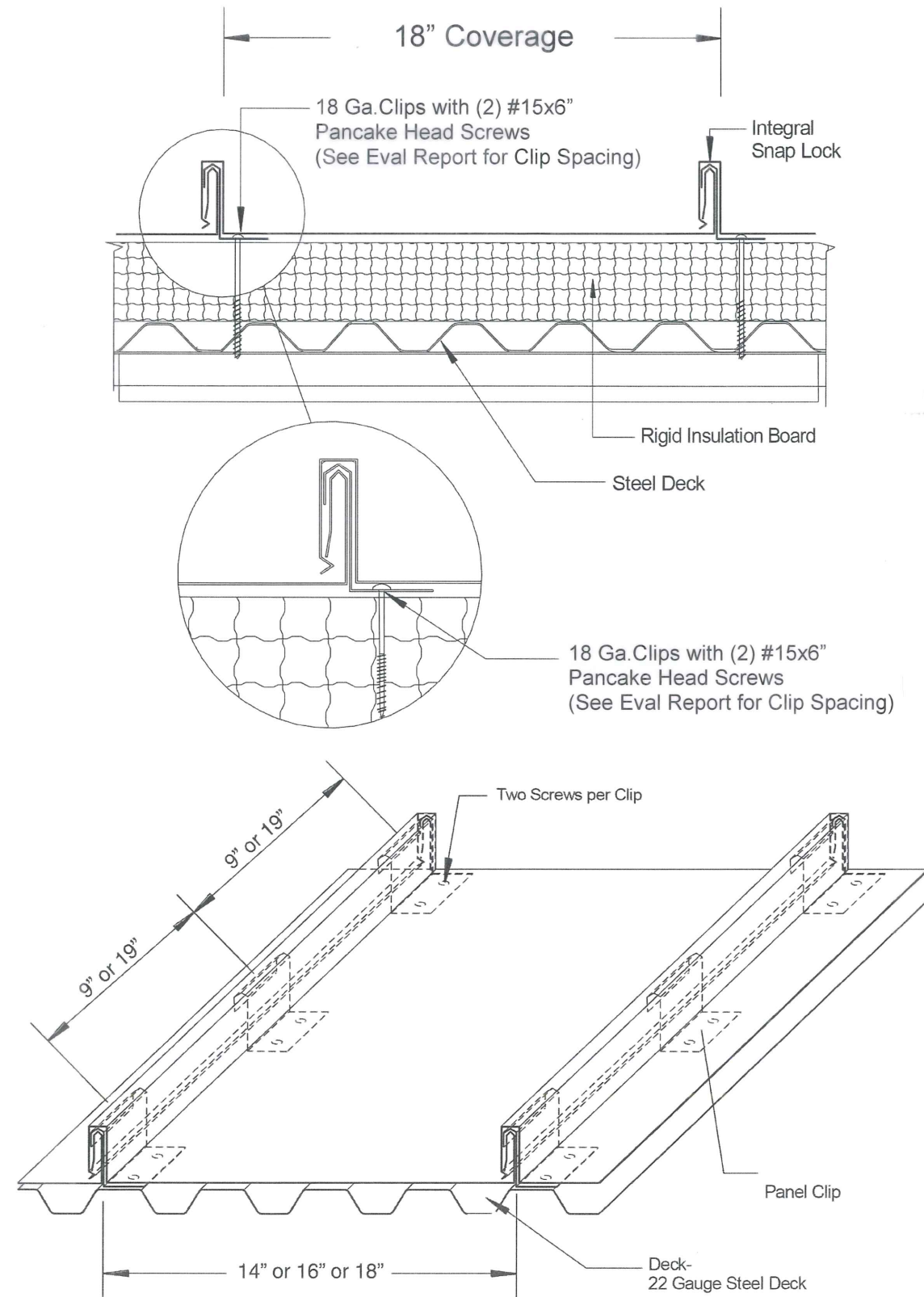
DM CLASS 1750 1 3/4" SNAPLOCK 18" WIDE 24 GA. GALVALUME ROOF PANEL, OVER B-DECK (HVHZ)



Typical Panel Profile



18 GA Galvanized Clip



SCOTT WOLTERS
FL PE# 62354

WOLTERS ENGINEERING
(CO.# 27194)
15211 97TH ROAD N
WEST PALM BEACH, FL 33412
(561) 225-1982

DYNAMIC METALS

www.dynamicmetal.net
340 PIKE ROAD
WEST PALM BEACH, FL 33782
PH: (561) 629-7288

FAX: (561) 629-7291
EMAIL: info@dynamicmetal.net



DWG: SLS18BD-HZ
SHEET: 1/1

NAME CHANGE	8/15/19	DATE
1ST SUBMITTAL	6/18/18	DATE
PRINTS ISSUED FOR REV.#		