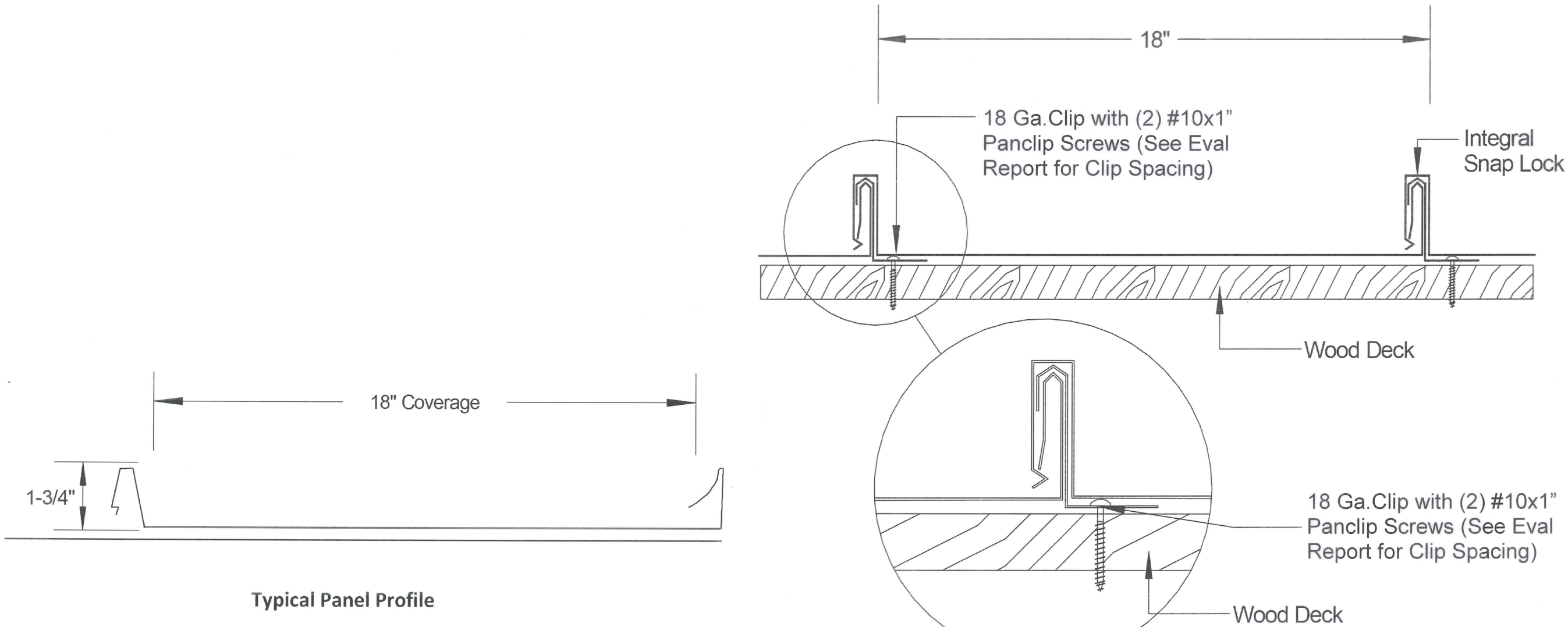
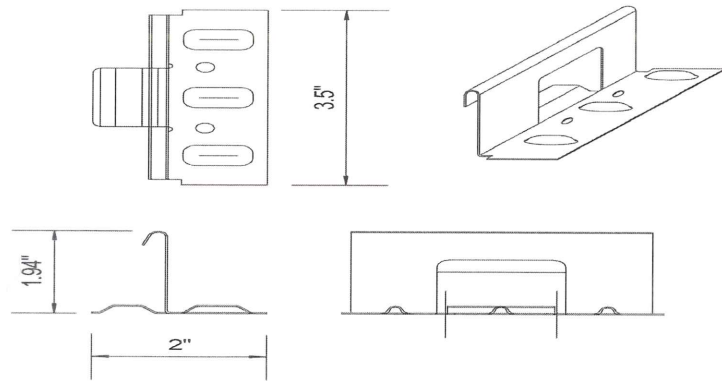


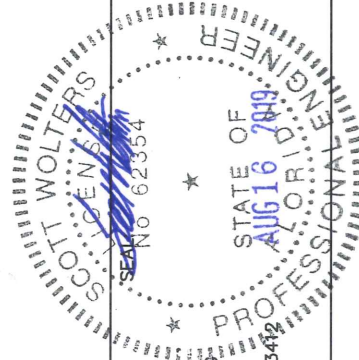
# DM CLASS 1750 1 3/4" SNAPLOCK 18" WIDE 24 GA. GALVALUME ROOF PANEL (HVHZ)



Typical Panel Profile



18 GA Galvanized Clip



DATE	8/15/19
PRINTS ISSUED FOR REV.#	6/18/18
NAME CHANGE	1ST SUBMITTAL

SCOTT WALTERS  
FL PE# 62354

WALTERS ENGINEERING  
(COA# 27194)  
15211 97TH ROAD N  
WEST PALM BEACH, FL 33412  
(561) 225-1982

## DYNAMIC METALS

www.dynamicmetal.net  
340 PIKE ROAD  
WEST PALM BEACH, FL 33782  
PH: (561) 629-7288  
FAX: (561) 629-7291  
EMAIL: info@dynamicmetal.net

