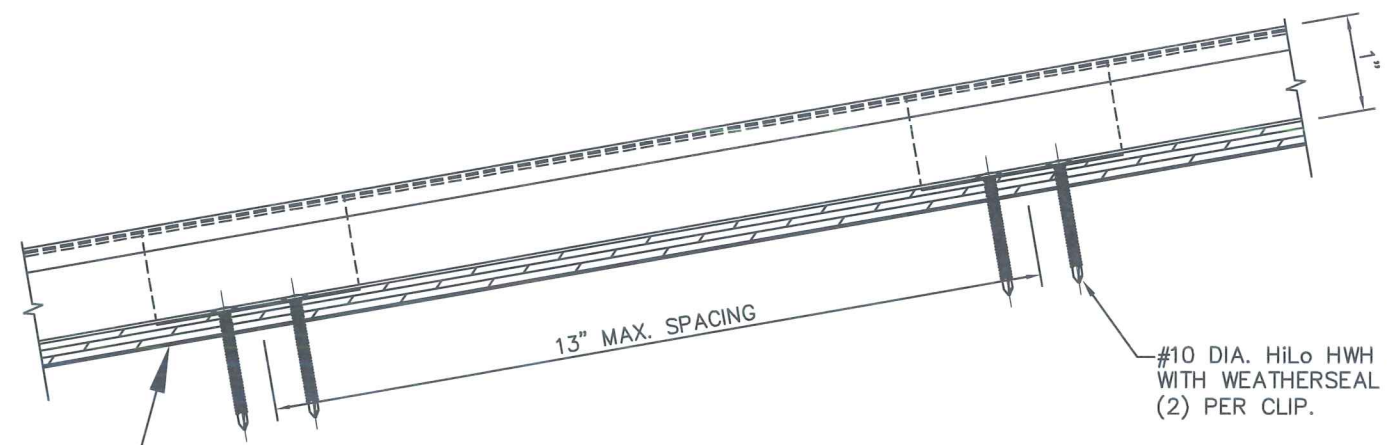
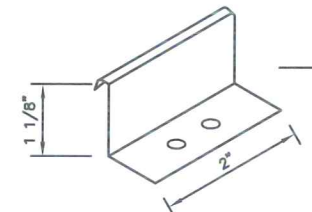


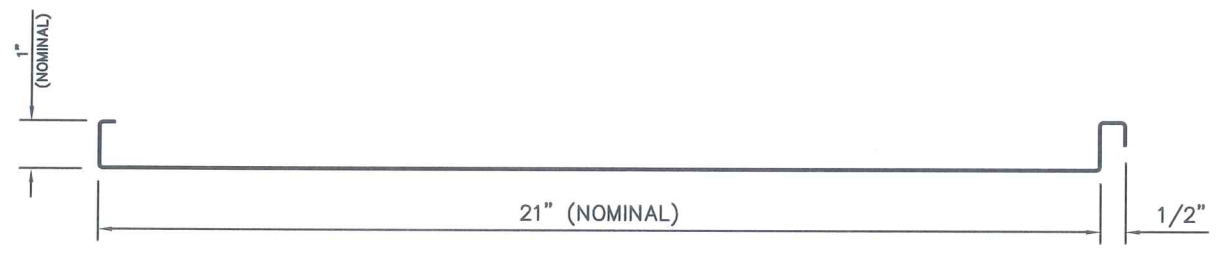
DM CLASS 1150 1" MECHANICAL SEAM 0.032" ALUMINUM ROOF PANEL, 21" WIDE



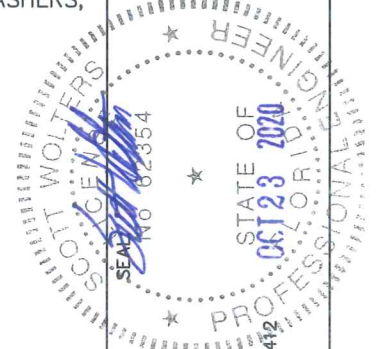
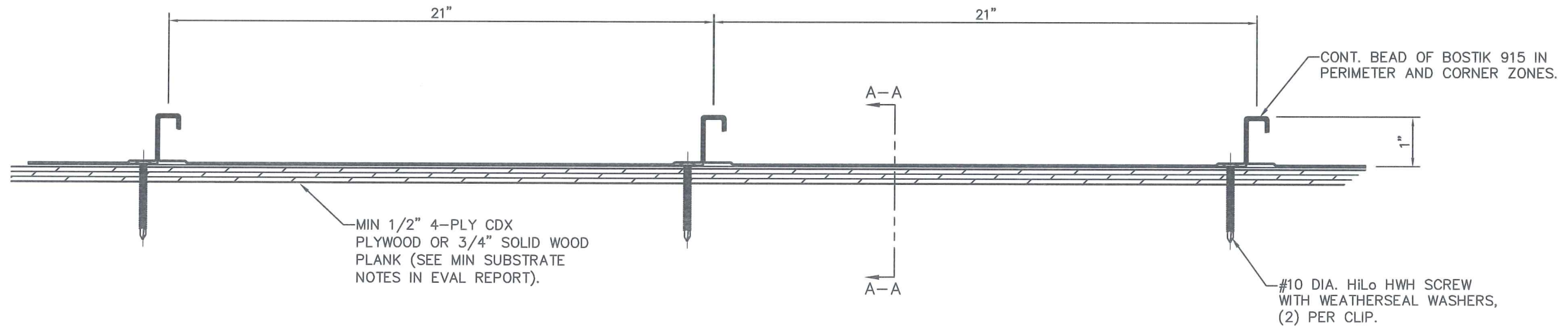
SECTION A-A



26 Ga. GALV. STEEL CLIP



PANEL PROFILE



SCOTT WOLTERS
FL PE# 62354

WOLTERS ENGINEERING
(COA# 27194)
15211 97TH ROAD N
WEST PALM BEACH, FL 33412
(561) 225-1982

DYNAMIC METALS

340 PIKE ROAD
WEST PALM BEACH, FL 33782
PH: (561) 629-7288

www.dynamicalmetal.net
FAX: (561) 629-7291
EMAIL: info@dynamicalmetal.net



REV.#	DATE	DESCRIPTION
1	10/21/20	1ST SUBMITTAL
		PRINTS ISSUED FOR REV.#