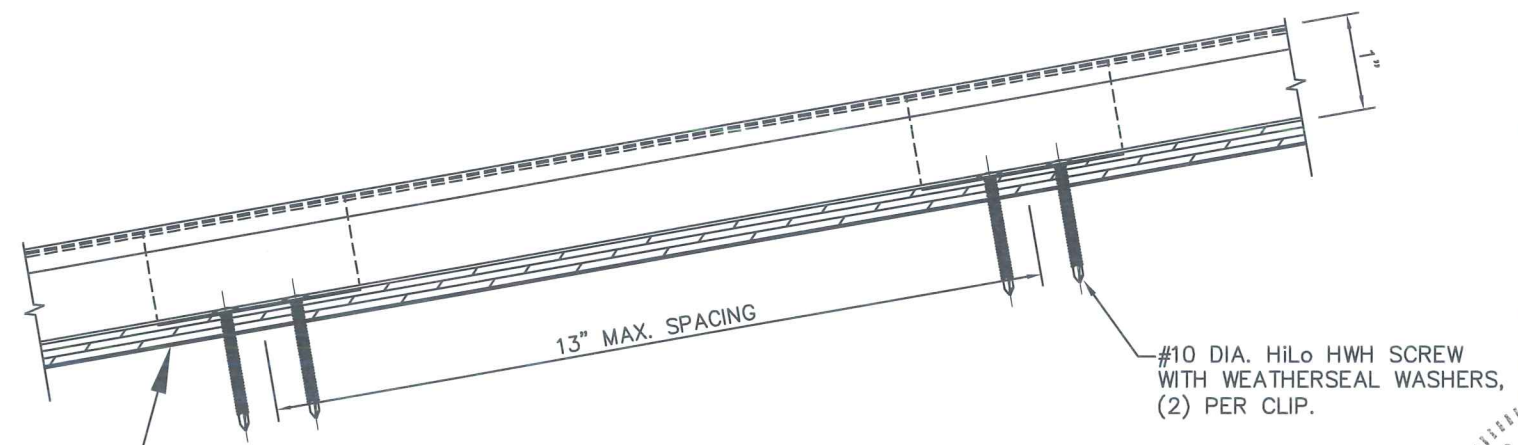
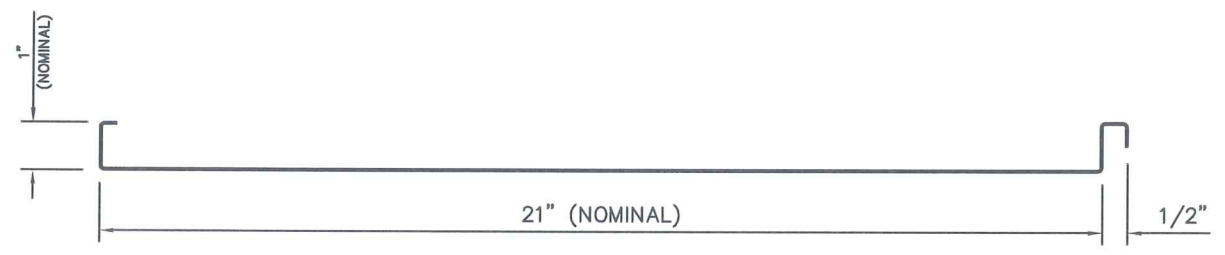
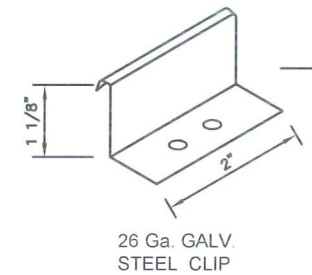


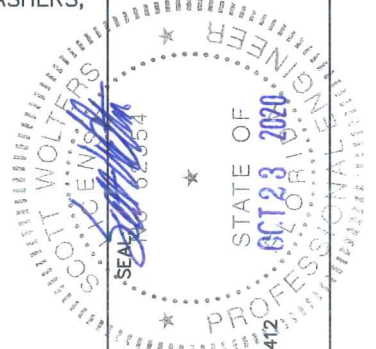
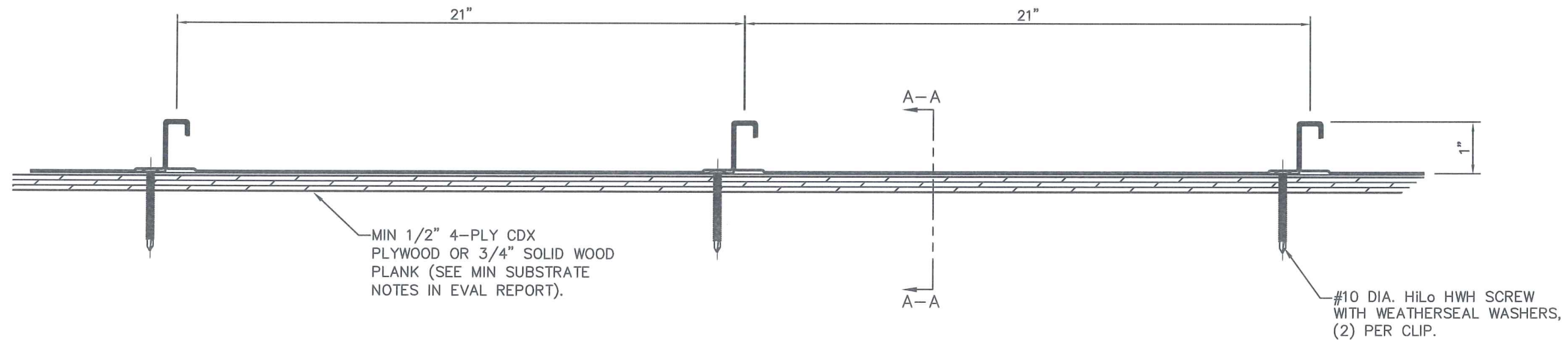
# DM CLASS 1150 1" MECHANICAL SEAM 0.032" ALUMINUM ROOF PANEL, 21" WIDE



SECTION A-A



PANEL PROFILE



SCOTT WOLTERS  
FL PE# 62354

WOLTERS ENGINEERING  
(COA# 27194)  
15211 97TH ROAD N  
WEST PALM BEACH, FL 33412  
(561) 225-1982

## DYNAMIC METALS

www.dynamicmetal.net  
340 PIKE ROAD  
WEST PALM BEACH, FL 33782  
PH: (561) 629-7288

FAX: (561) 629-7291  
EMAIL: info@dynamicmetal.net



REV.	DATE	DESCRIPTION
1	10/21/20	1ST SUBMITTAL
		PRINTS ISSUED FOR REV.#