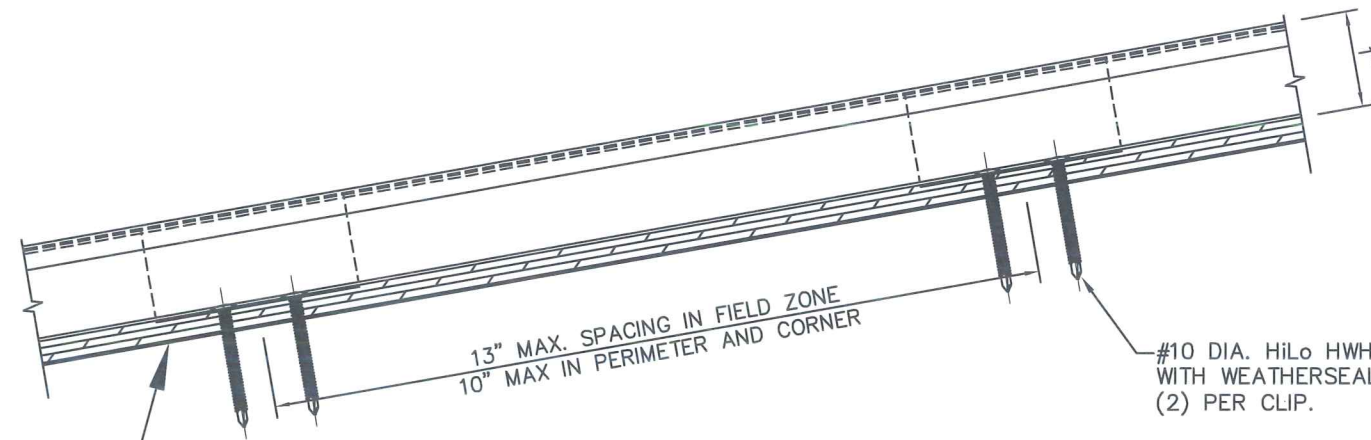
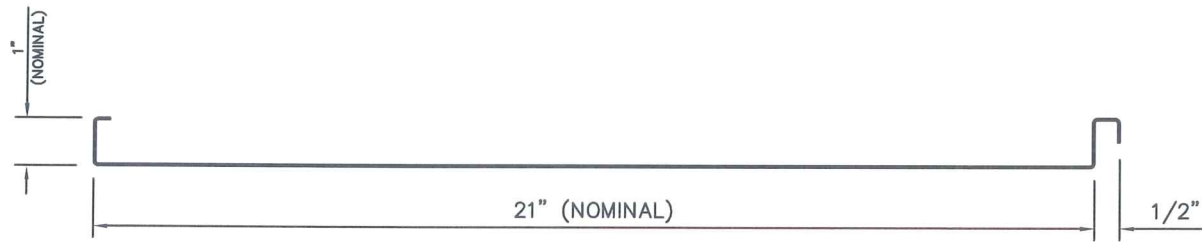
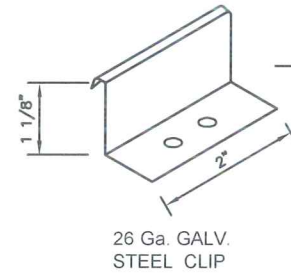


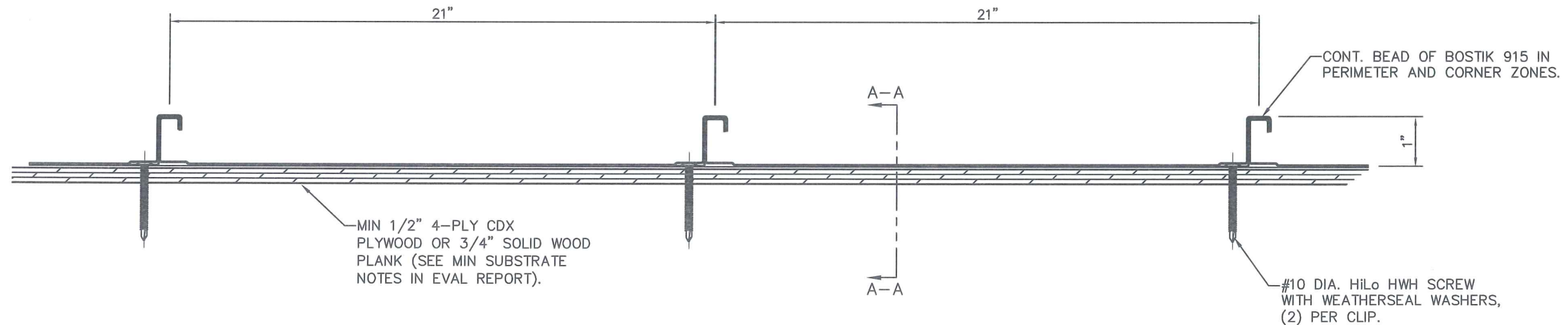
# DM CLASS 1150 1" MECHANICAL SEAM 26 Ga. STEEL ROOF PANEL, 21" WIDE



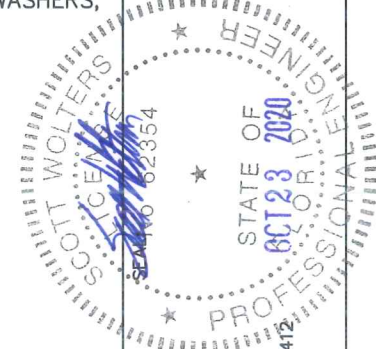
SECTION A-A



PANEL PROFILE



REV.#	DATE	DESCRIPTION
1	10/21/20	1ST SUBMITTAL
2		PRINTS ISSUED FOR REV.#



SCOTT WALTERS  
FL PE# 62354

WALTERS ENGINEERING  
(COA# 27194)  
15211 97TH ROAD N  
WEST PALM BEACH, FL 33412  
(561) 225-1982

## DYNAMIC METALS

340 PIKE ROAD  
WEST PALM BEACH, FL 33782  
PH: (561) 629-7288

www.dynamictal.net  
FAX: (561) 629-7291  
EMAIL: info@dynamictal.net

