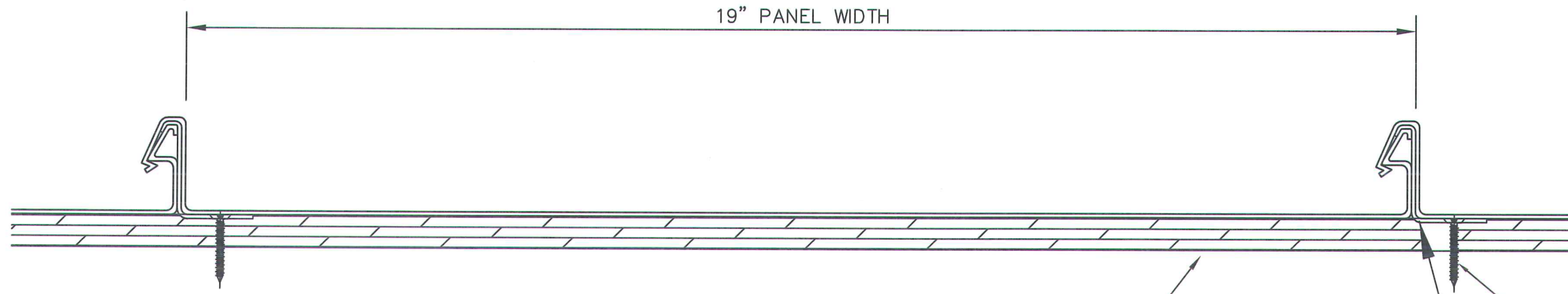


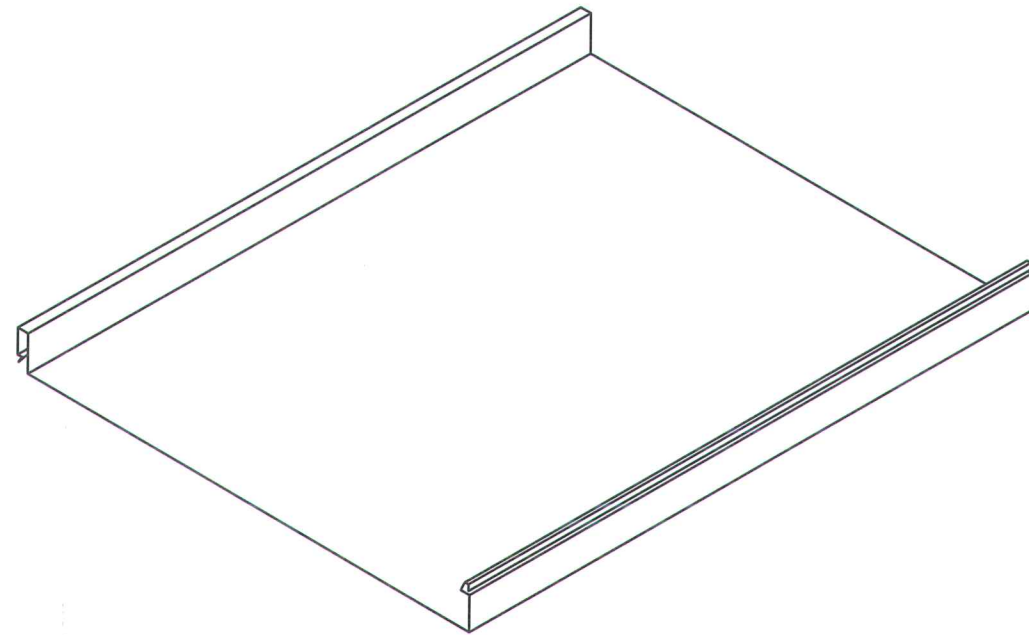
DM CLASS 1700 26 GA. STEEL SNAPLOCK 1 1/2" STANDING SEAM ROOFING PANEL



19" PANEL WIDTH

MINIMUM 1/2" 4-PLY CDX PLYWOOD or 3/4" SOLID WOOD PLANK (SEE MIN SUBSTRATE NOTES IN EVAL REPORT).

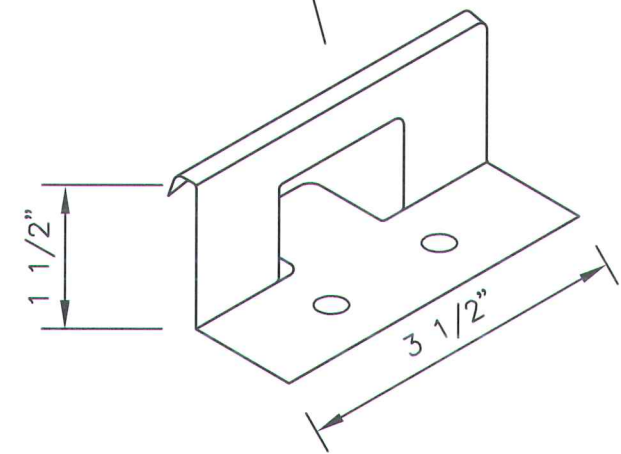
#10x1" PANCAKE HEAD FASTENERS, (2) PER CLIP (SEE EVAL REPORT FOR CLIP SPACING)



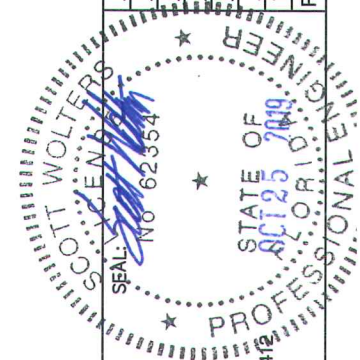
1 1/2" (NOMINAL)

19" (NOMINAL)

PANEL PROFILE



18 Ga. GALV. STEEL CLIP



SCOTT WOLTERS
FL PE# 62354
WOLTERS ENGINEERING
(CO.# 27194)
15211 97TH ROAD N
WEST PALM BEACH, FL 33412
(561) 225-1982

DYNAMIC METALS

340 PIKE ROAD
WEST PALM BEACH, FL 33782
PH: (561) 629-7288
www.dynamicmetal.net
FAX: (561) 629-7291
EMAIL: info@dynamicmetal.net



DWG: 1700SLHZ
SHEET: 1/1

REV.	DATE	DESCRIPTION
1	10/17/19	1ST SUBMITTAL
2		PRINTS ISSUED FOR REV.#