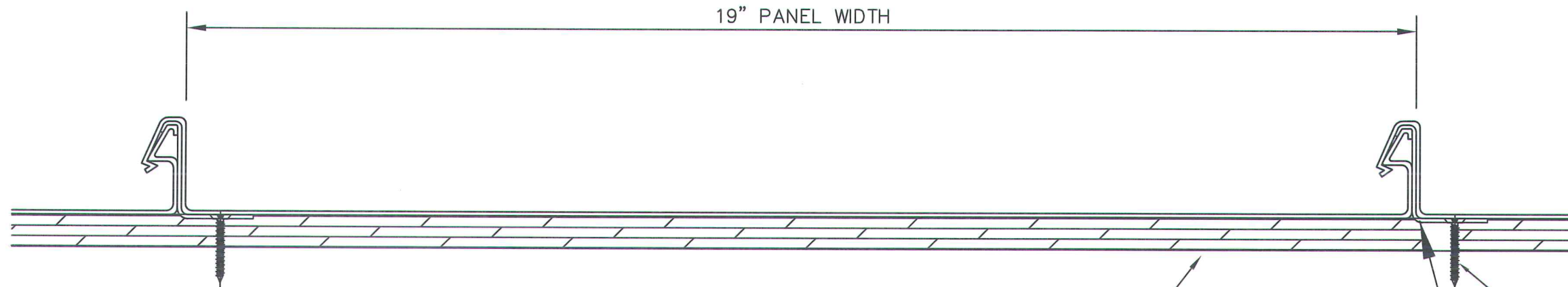
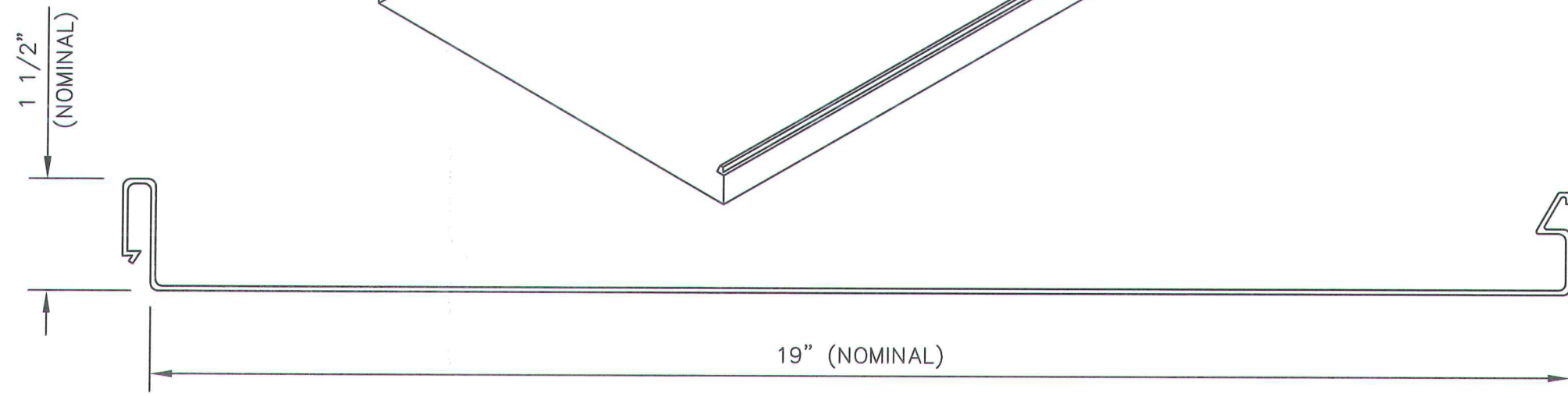
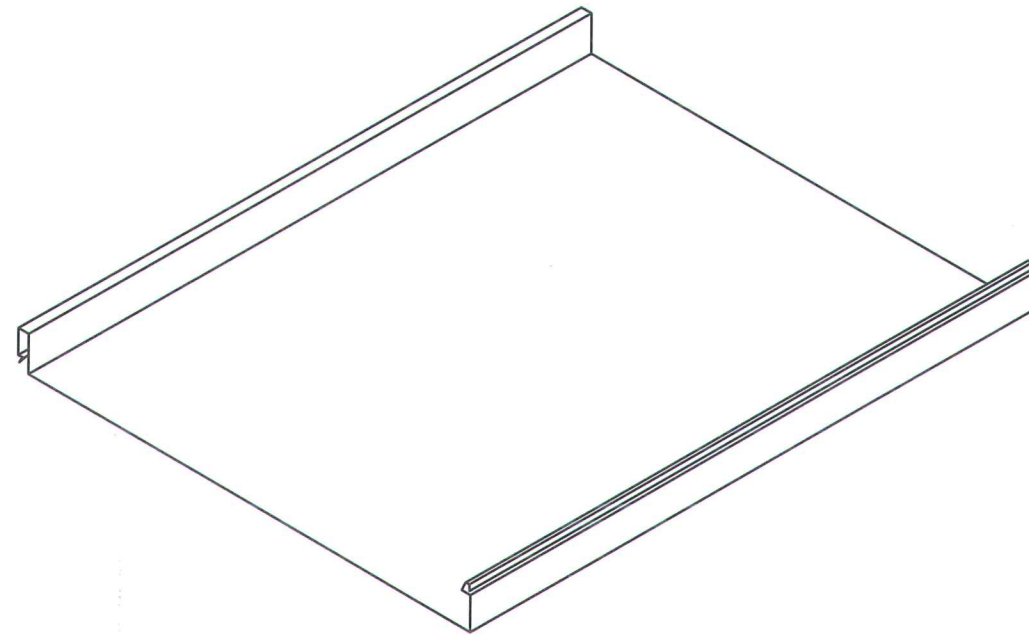


DM CLASS 1700 .032" ALUMINUM SNAPLOCK 1 1/2" STANDING SEAM ROOFING PANEL

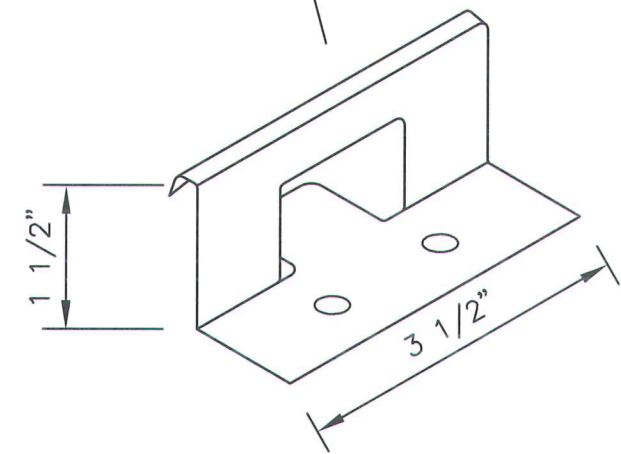


MINIMUM 1/2" 4-PLY CDX PLYWOOD or 3/4" SOLID WOOD PLANK (SEE MIN SUBSTRATE NOTES IN EVAL REPORT).

#10x1" PANCAKE HEAD FASTENERS, (2) PER CLIP (SEE EVAL REPORT FOR CLIP SPACING)



PANEL PROFILE



18 Ga. GALV. STEEL CLIP



SCOTT WOLTERS
FL PE# 62354

WOLTERS ENGINEERING
(CO.# 27194)
15211 97TH ROAD N
WEST PALM BEACH, FL 33412
(561) 225-1982

DYNAMIC METALS

340 PIKE ROAD
WEST PALM BEACH, FL 33782
PH: (561) 629-7288

www.dynamicmetal.net
FAX: (561) 629-7291
EMAIL: info@dynamicmetal.net



| REV.# | DESCRIPTION | DATE |
|-------|-------------------------|----------|
| 1 | 1ST SUBMITTAL | 10/17/19 |
| 2 | PRINTS ISSUED FOR REV.# | |