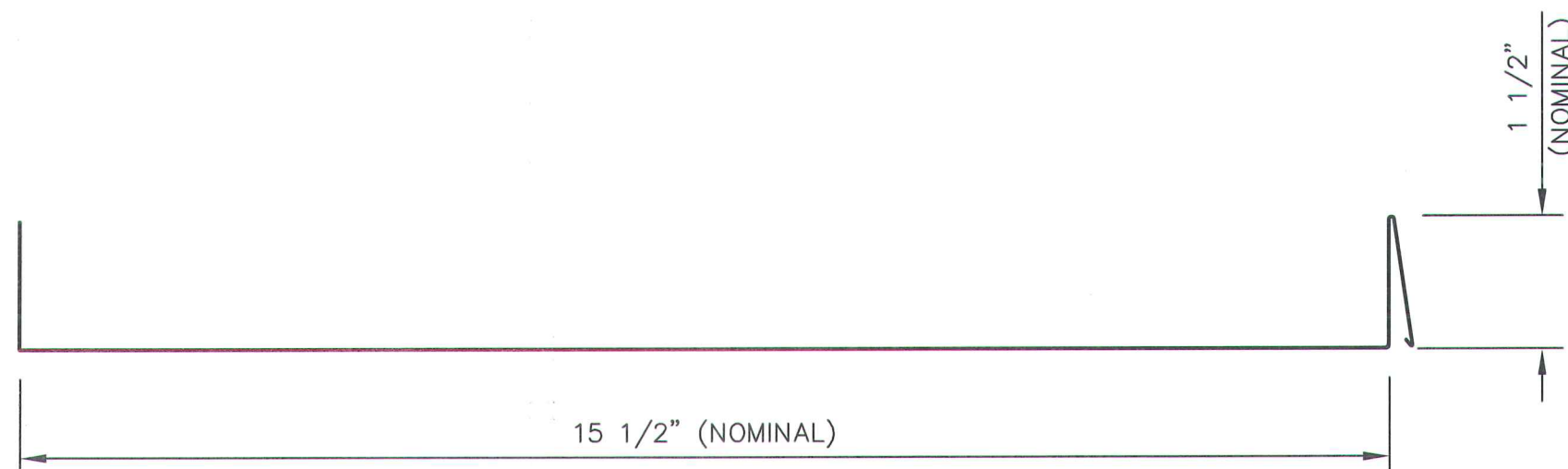
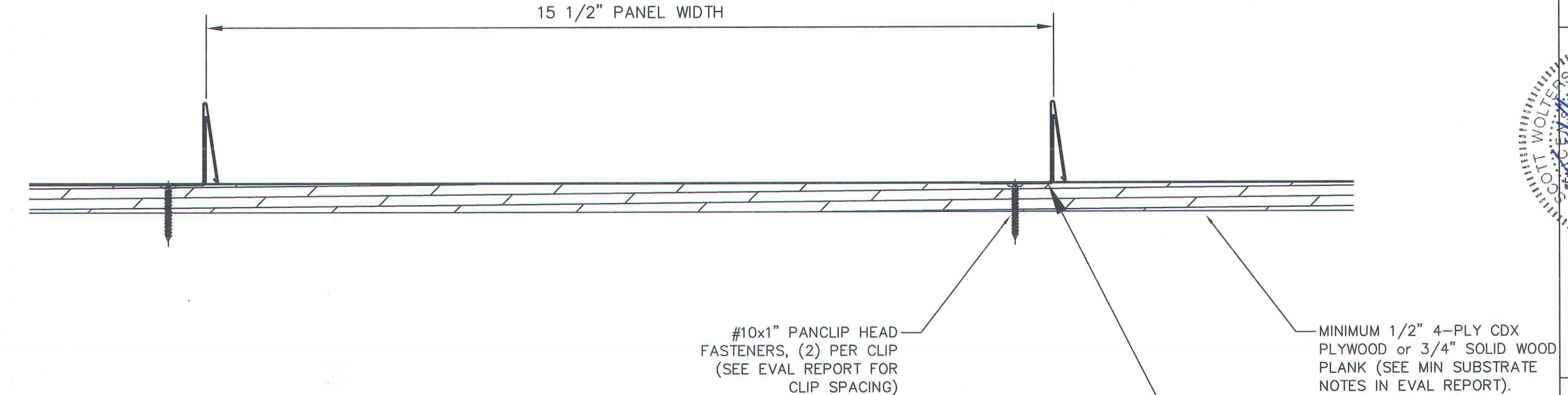
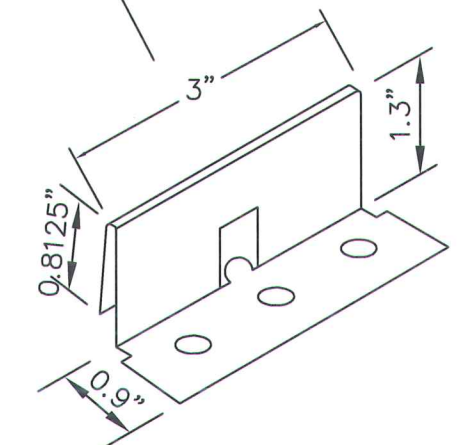


DM CLASS 800 26 GA. STEEL SNAPLOCK 1 1/2" STANDING SEAM ROOF PANEL

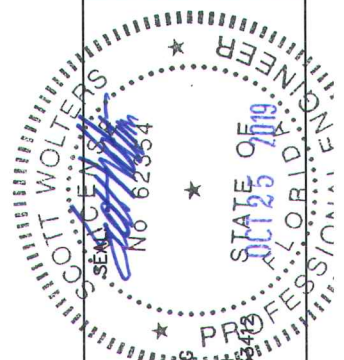


PANEL PROFILE



24 Ga. STEEL CLIP

NOTE: CLIP DIMENSIONS ARE NOMINAL.



SCOTT WOLTERS
FL PE# 62354

WOLTERS ENGINEERING
(COA# 27194)
15211 97TH ROAD
WEST PALM BEACH, FL 33413
(561) 225-1982

DYNAMIC METALS

340 PIKE ROAD
WEST PALM BEACH, FL 33782
PH: (561) 629-7288

www.dynamicmetal.net
FAX: (561) 629-7291
EMAIL: info@dynamicmetal.net



REV.#	DATE	DESCRIPTION
1	10/17/19	1ST SUBMITTAL
2		PRINTS ISSUED FOR