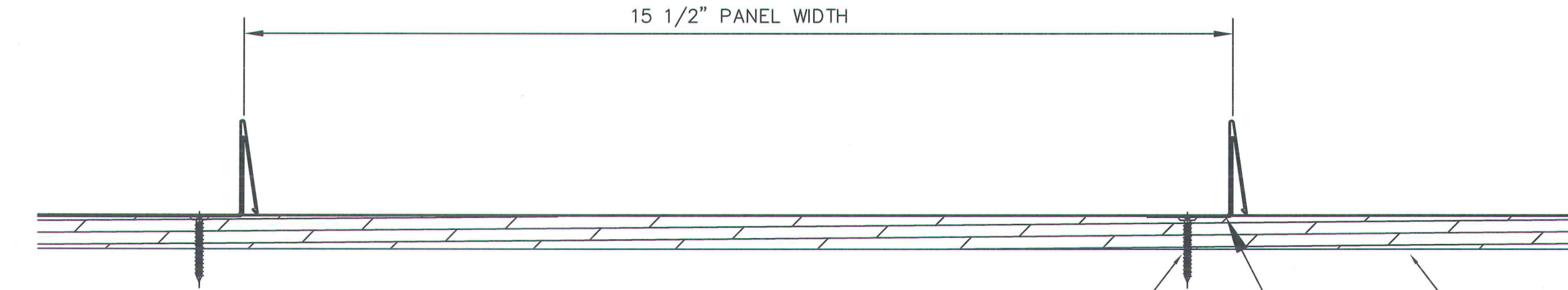
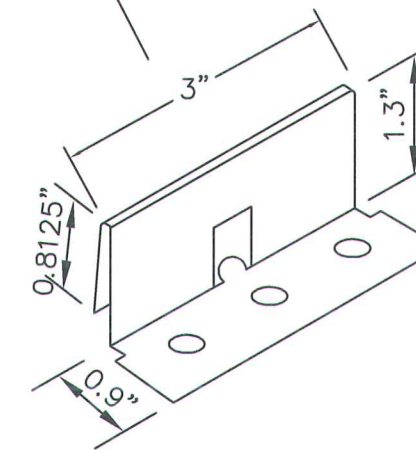


DM CLASS 800 .032" ALUMINUM SNAPLOCK 1 1/2" STANDING SEAM ROOF PANEL



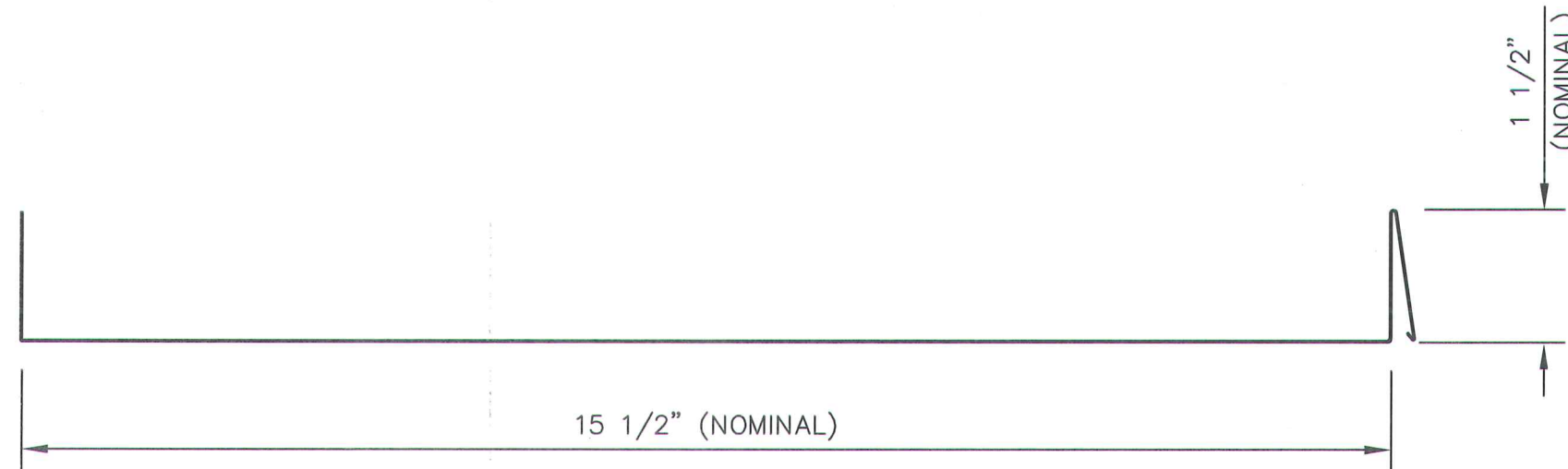
#10x1" PANCAKE HEAD FASTENERS, (2) PER CLIP
(SEE EVAL REPORT FOR CLIP SPACING)

MINIMUM 1/2" 4-PLY CDX PLYWOOD or 3/4" SOLID WOOD PLANK (SEE MIN SUBSTRATE NOTES IN EVAL REPORT).

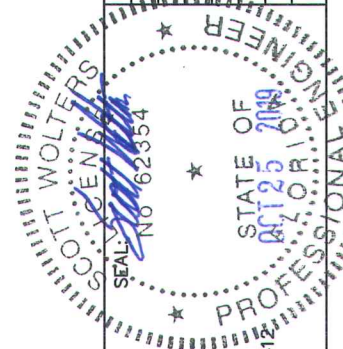


24 Ga. STEEL CLIP

NOTE: CLIP DIMENSIONS ARE NOMINAL.



PANEL PROFILE



SCOTT WALTERS
FL PE# 62354
WALTERS ENGINEERING
(COA# 27194)
15211 97TH ROAD N
WEST PALM BEACH, FL 33412
(561) 225-1982

DYNAMIC METALS

340 PIKE ROAD
WEST PALM BEACH, FL 33782
PH: (561) 629-7288
www.dynamicmetal.net
FAX: (561) 629-7291
EMAIL: info@dynamicmetal.net



DWG: **800SLALHZ**
SHEET: **1/1**

REV.#	DATE	DESCRIPTION
1	10/17/19	IST SUBMITTAL
2		PRINTS ISSUED FOR REV.#