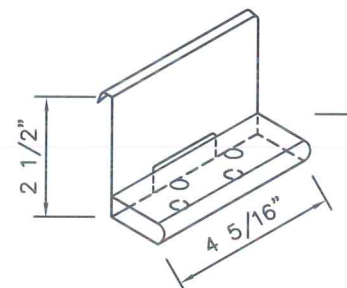


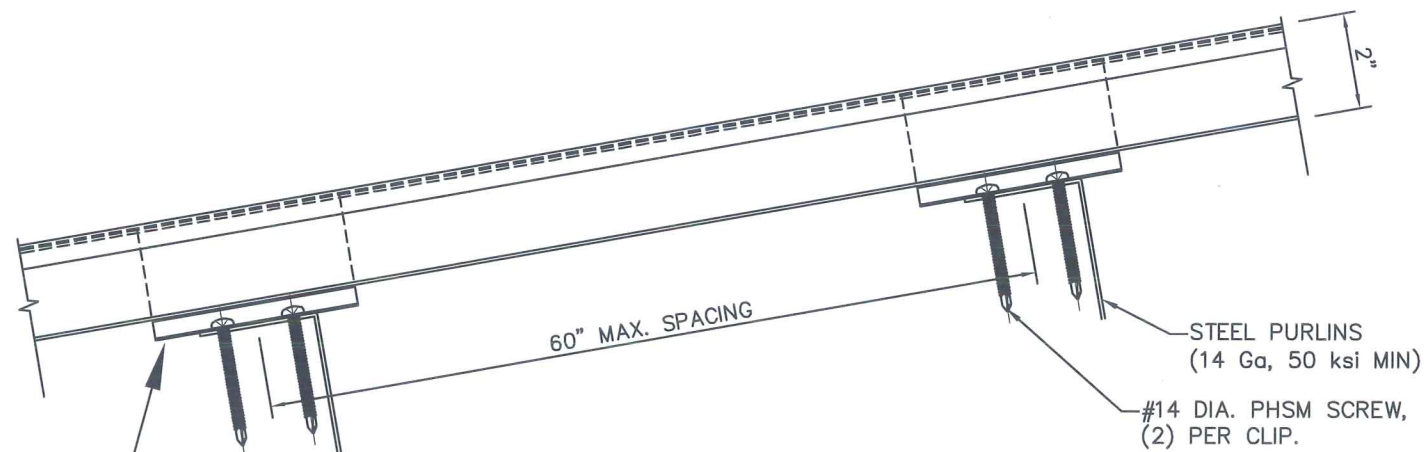
**DM CLASS 2000 2" MECHANICAL SEAM
24 Ga. STEEL ROOF PANEL, 18" WIDE.
INSTALLED OVER 14 Ga. PURLINS
(FIELD INSTALLATION)**

ALLOWABLE DESIGN PRESSURES:

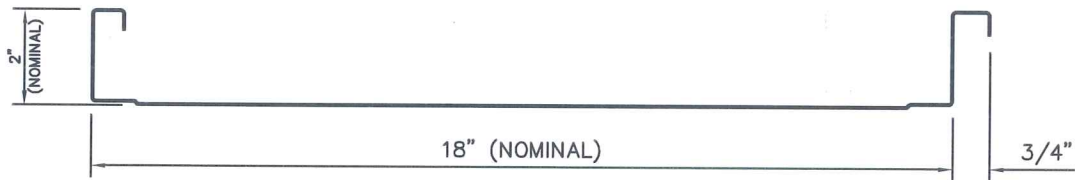
| | |
|---|-------------------------------|
| 18" PANELS WITH 4 5/16" 2-PC. CLIPS: | 60" PURLIN SPACING = -50 PSF |
| | 30" PURLIN SPACING = -100 PSF |



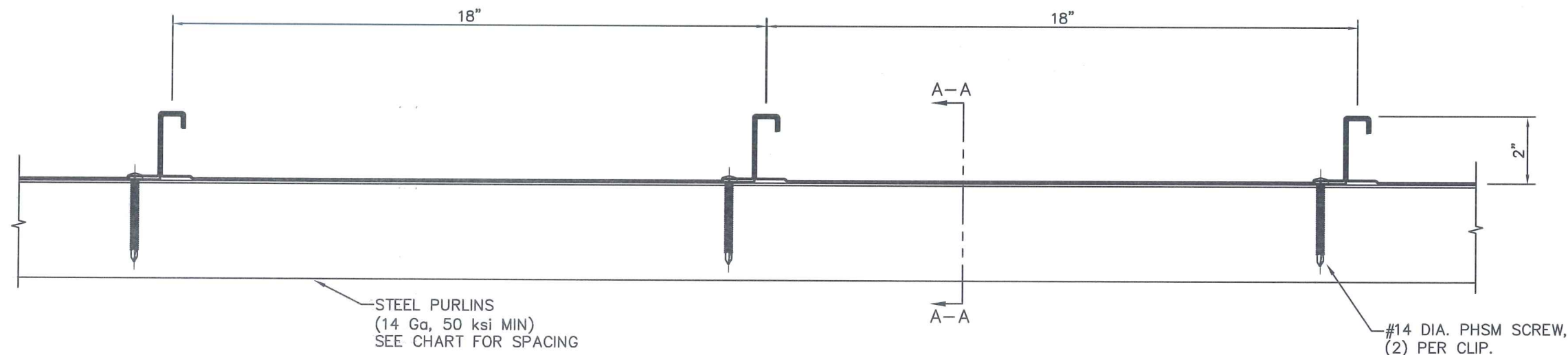
2 PC. GALV. STEEL CLIP WITH
16 Ga. BASE AND 22 Ga. TAB



SECTION A-A



PANEL PROFILE



STEEL PURLINS
(14 Ga, 50 ksi MIN)
SEE CHART FOR SPACING

#14 DIA. PHSM SCREW,
(2) PER CLIP.



SCOTT WALTERS
FL PE# 62354
WALTERS ENGINEERING
(COA# 27194)
15211 97TH ROAD NE
WEST PALM BEACH, FL 33411
(561) 225-1982

DYNAMIC METALS

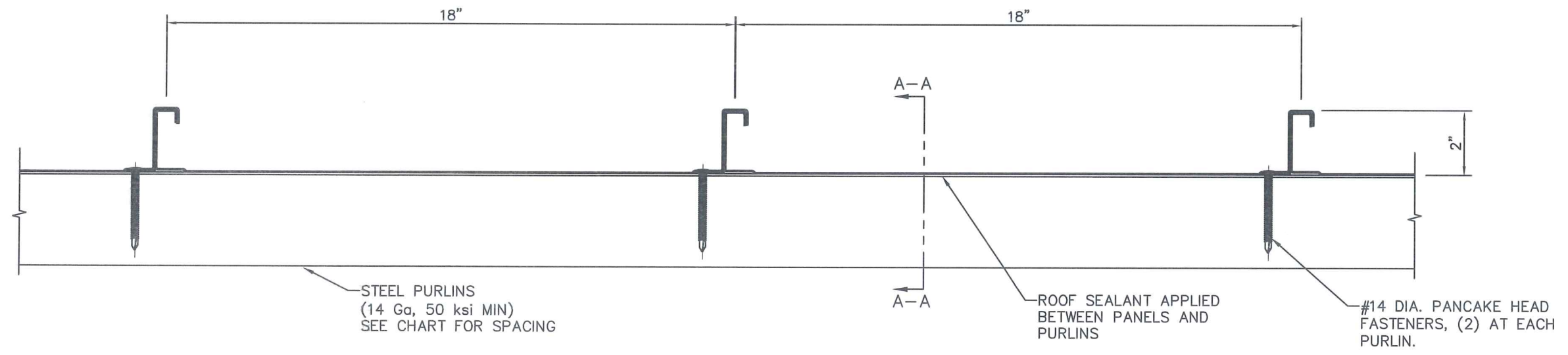
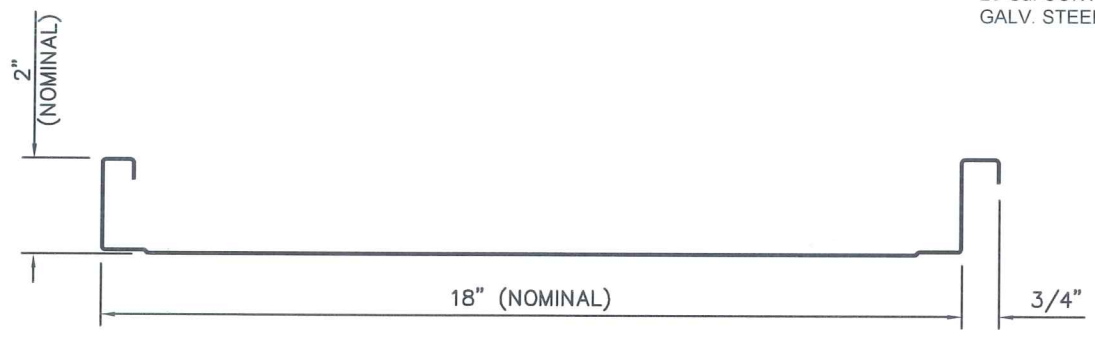
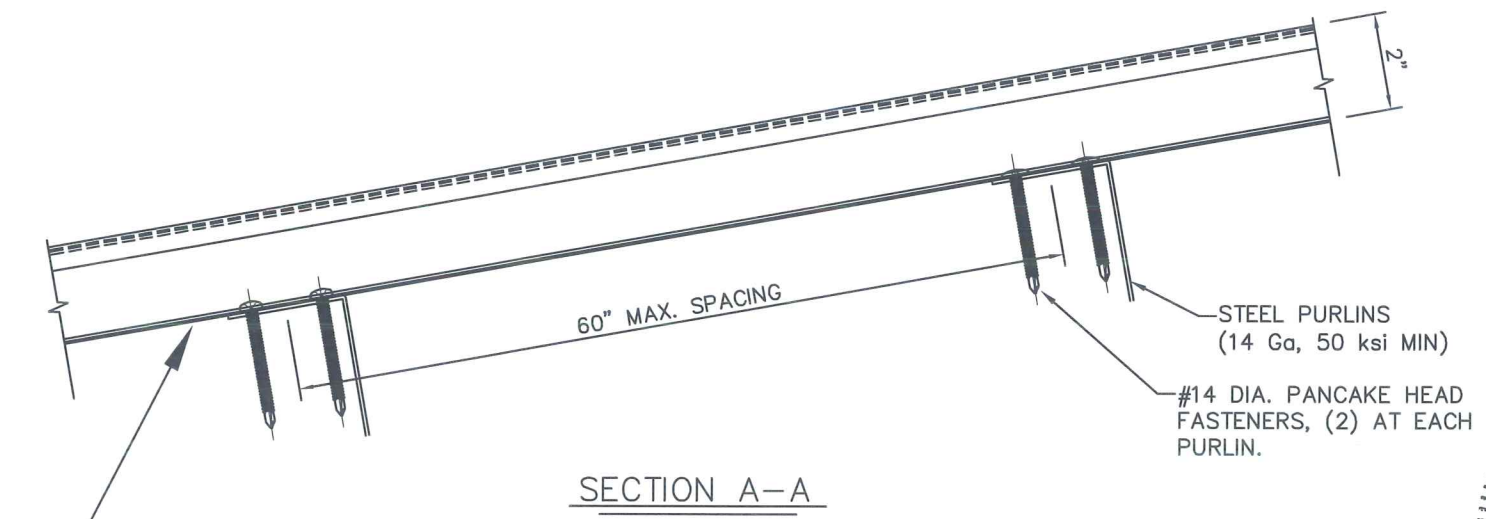
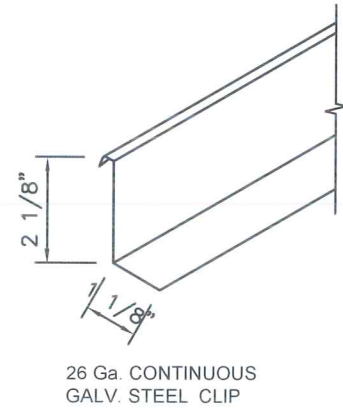
340 PIKE ROAD
WEST PALM BEACH, FL 33782
PH: (561) 629-7288
www.dynamicmetal.net
FAX: (561) 629-7291
EMAIL: info@dynamicmetal.net



| | | |
|-------------------|-------|----------|
| PRINTS ISSUED FOR | REV.# | DATE |
| 2ND SUBMITTAL | - | 10/26/20 |
| 1ST SUBMITTAL | - | 4/9/20 |

**DM CLASS 2000 2" MECHANICAL SEAM
24 Ga. STEEL ROOF PANEL, 18" WIDE.
INSTALLED OVER 14 Ga. PURLINS
(CORNER INSTALLATION)**

ALLOWABLE DESIGN PRESSURES:
18" PANELS WITH 2 1/8" CONTINUOUS CLIPS: 60" PURLIN SPACING = -85 PSF



| | | |
|----------|--------|-------------------|
| DATE | REV.# | PRINTS ISSUED FOR |
| 10/26/20 | 4/9/20 | 2ND SUBMITTAL |
| | | 1ST SUBMITTAL |

SCOTT WOLTERS
FL PE# 62354
WOLTERS ENGINEERING
(COA# 27194)
15211 97TH ROAD N
WEST PALM BEACH, FL 33414
(561) 225-1982

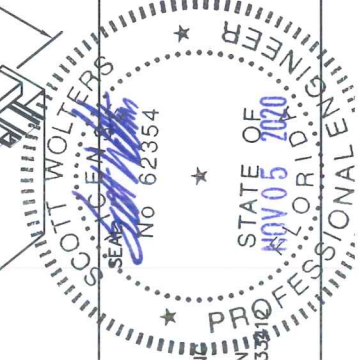
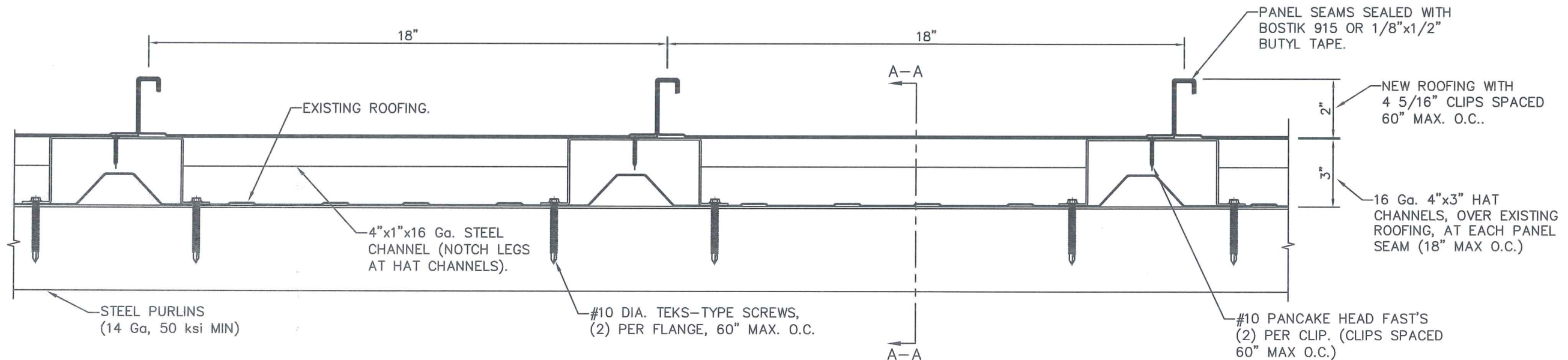
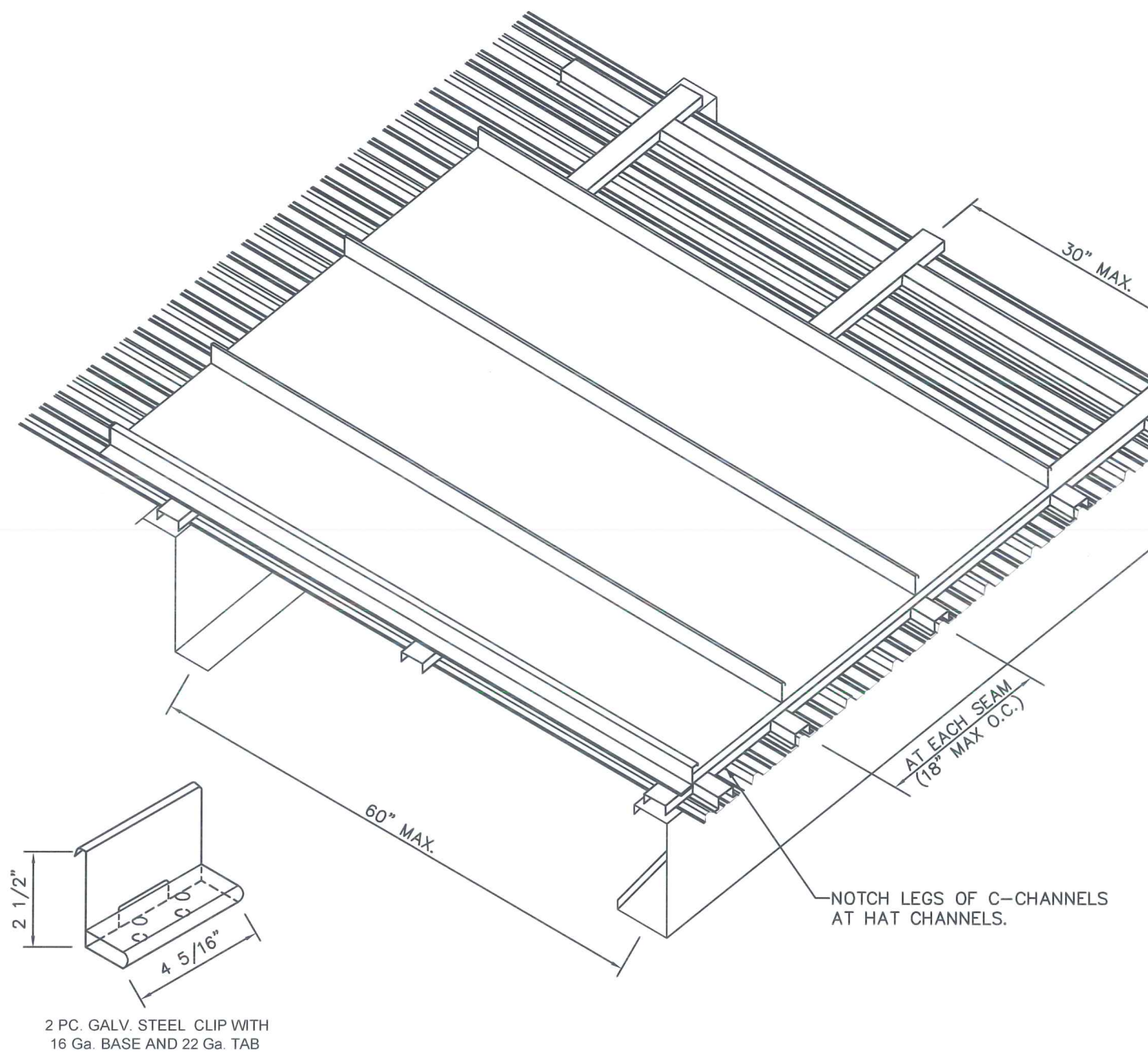
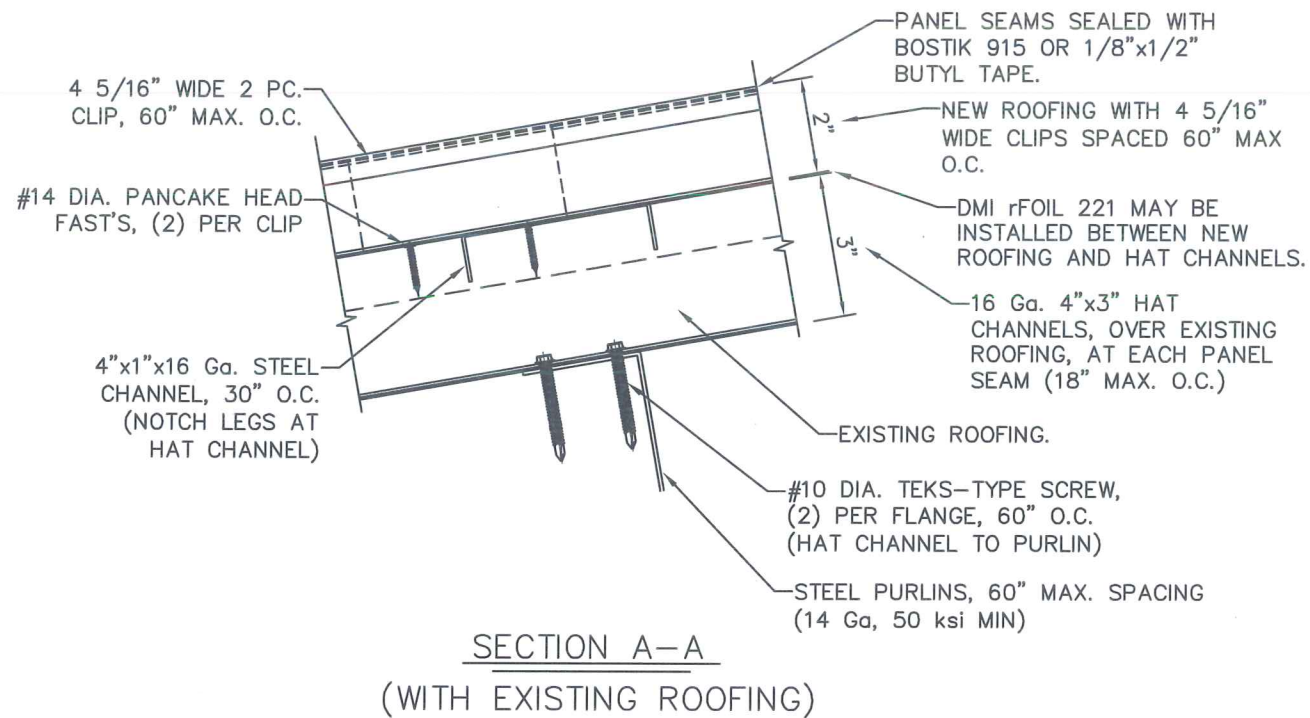
DYNAMIC METALS
www.dynamicmetal.net
340 PIKE ROAD
WEST PALM BEACH, FL 33782
PH: (561) 629-7288
FAX: (561) 629-7291
EMAIL: info@dynamicmetal.net



**DM CLASS 2000 2" MECHANICAL SEAM
24 Ga. STEEL ROOF PANEL, 18" WIDE,
OVER EXISTING ROOF WITH 14 Ga. PURLINS,
USING 16 Ga. HAT CHANNELS (FIELD INSTALLATION)**

ALLOWABLE DESIGN PRESSURES:

18" PANELS WITH
4 5/16" 2-PC. CLIPS: SPACED 60" MAX O.C. = -50 PSF
SPACED 30" MAX O.C. = -100 PSF



SCOTT WALTERS
FL PE# 62354
WALTERS ENGINEERING
(COA# 27194)
15211 97TH ROAD N
WEST PALM BEACH, FL 33410
(561) 225-1982

DYNAMIC METALS

www.dynamicmetal.net
340 PIKE ROAD
WEST PALM BEACH, FL 33782
PH: (561) 629-7288
FAX: (561) 629-7291
EMAIL: info@dynamicmetal.net

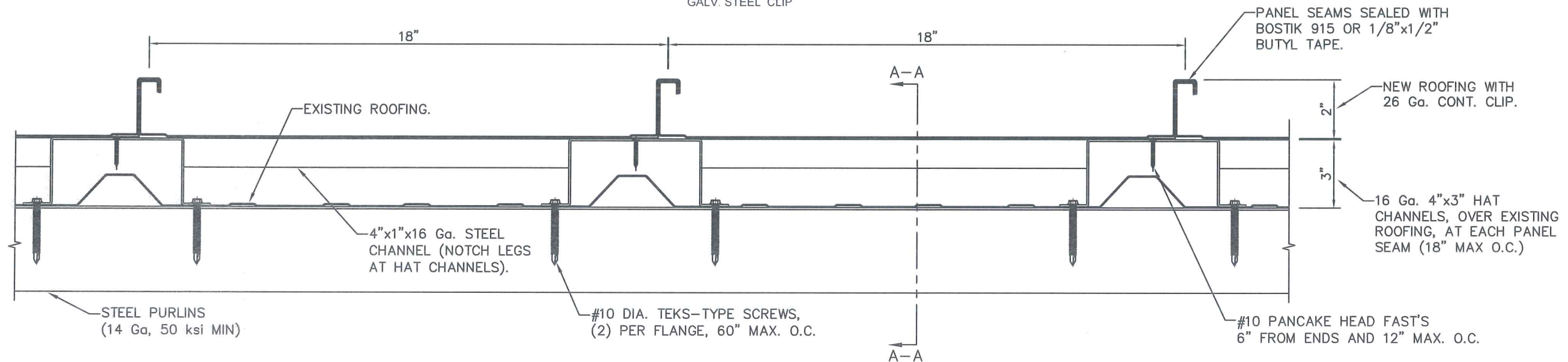
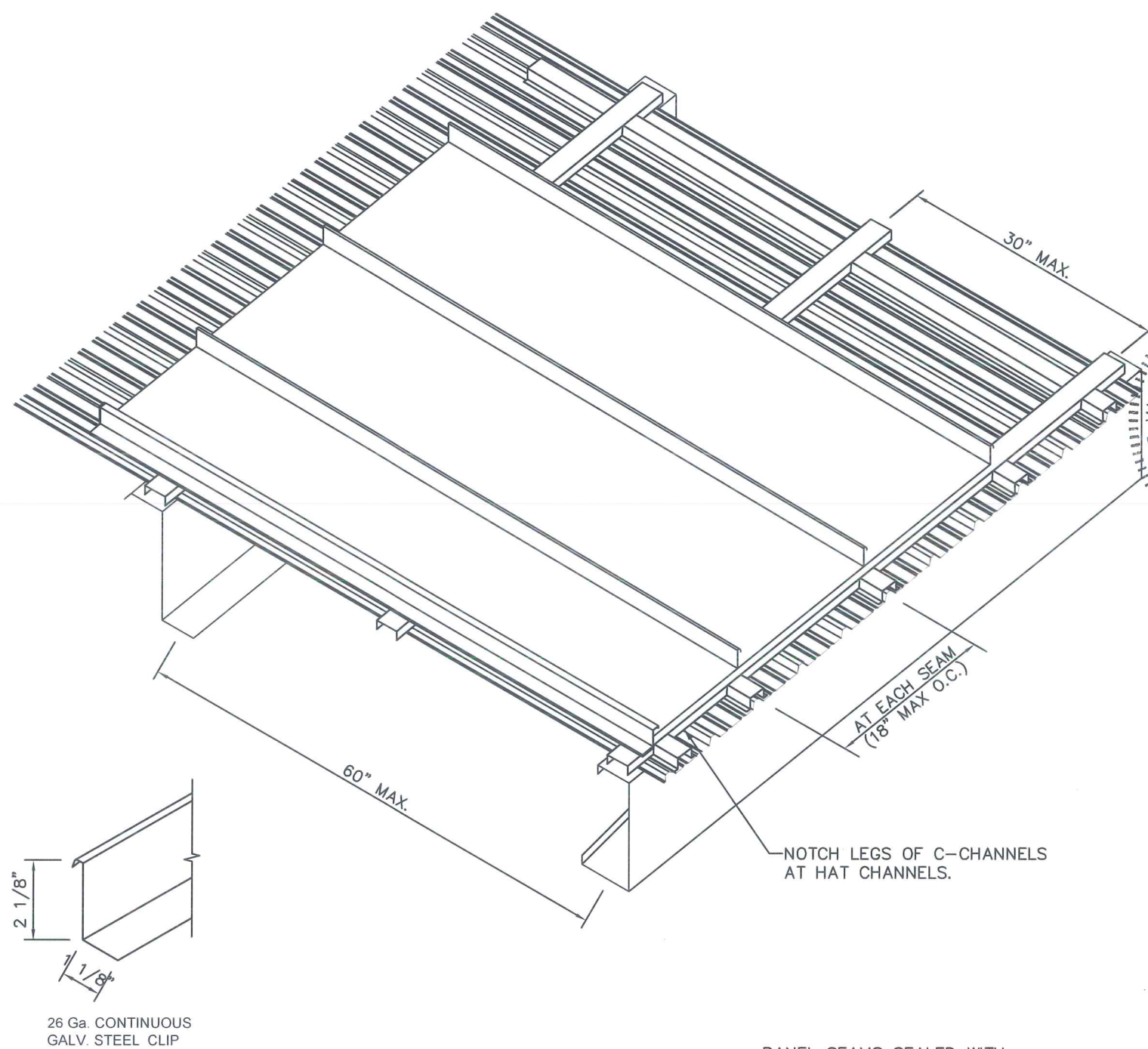
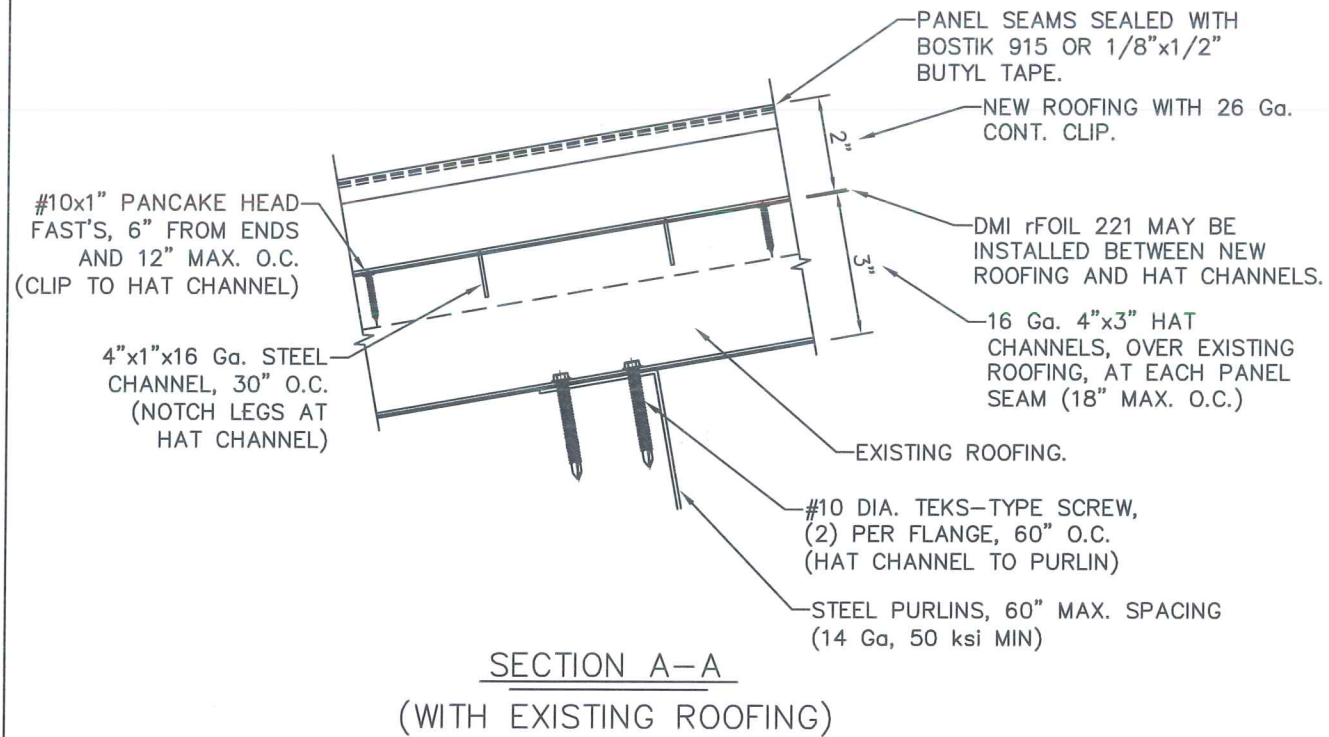


DWG: **2MSWPLN**
SHEET: **3/4**

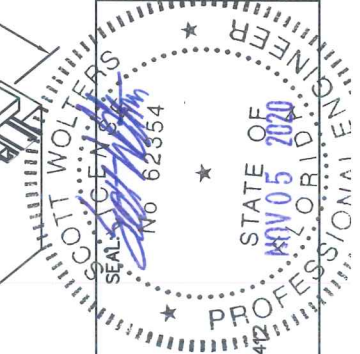
| NO. | DATE | REV. | DESCRIPTION |
|-----|----------|------|-------------------------|
| 1 | 10/26/20 | | 2ND SUBMITTAL |
| 2 | 8/10/20 | | 1ST SUBMITTAL |
| | | | PRINTS ISSUED FOR REV.# |

**DM CLASS 2000 2" MECHANICAL SEAM
24 Ga. STEEL ROOF PANEL, 18" WIDE,
OVER EXISTING ROOF WITH 14 Ga. PURLINS,
USING 16 Ga. HAT CHANNELS (CORNER INSTALLATION)**

ALLOWABLE DESIGN PRESSURE: -157 psf



| | | |
|----------|---------------|-------------------|
| DATE | REV.# | PRINTS ISSUED FOR |
| 10/26/20 | 2ND SUBMITTAL | |
| 8/10/20 | 1ST SUBMITTAL | |



SCOTT WALTERS
FL PE# 62354
WALTERS ENGINEERING
(COA# 27194)
15211 97TH ROAD N
WEST PALM BEACH, FL 33412
(561) 225-1982

DYNAMIC METALS

www.dynamicmetal.net
340 PIKE ROAD
WEST PALM BEACH, FL 33782
PH: (561) 629-7288
FAX: (561) 629-7291
EMAIL: info@dynamicmetal.net



DWG: **2MSWPLN**
SHEET: **4/4**