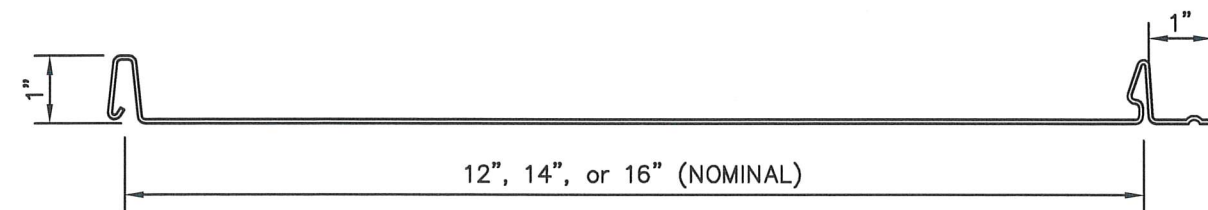
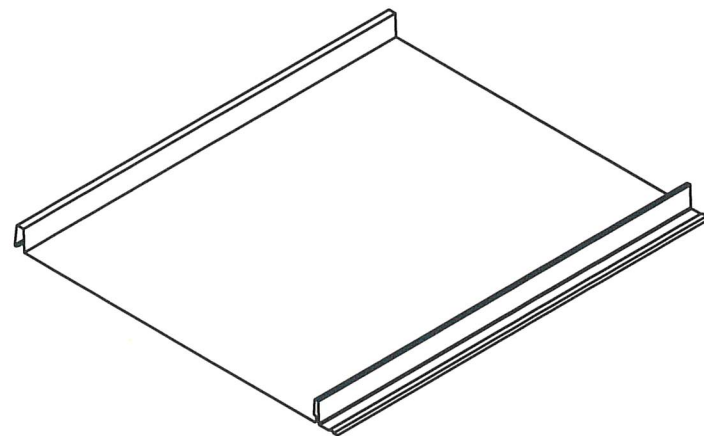
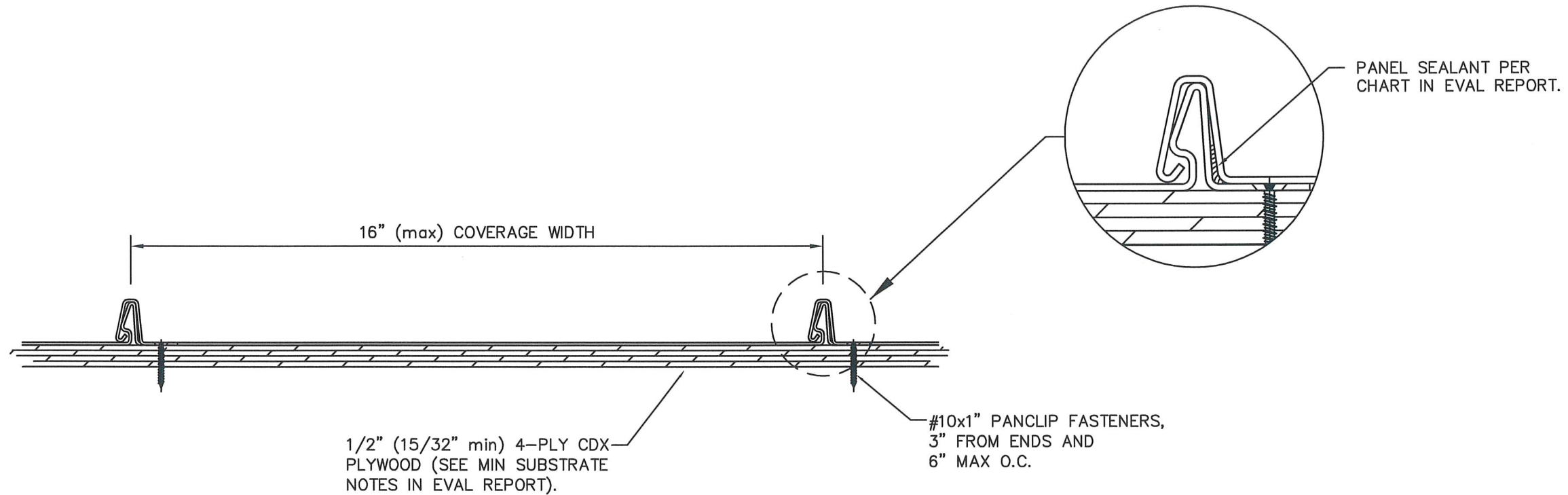


**DYNAMIC CLASS 1000 26 Ga. GALVALUME
1" NAILSTRIP x 12", 14", or 16" WIDE ROOF PANEL
OVER 1/2" PLYWOOD**




PANEL PROFILE

MAX DESIGN PRESSURE	
-116 Psf	(OPTION #1)
-176 Psf	(OPTION #2)

GENERAL NOTES:

1. ROOF SLOPE IS LIMITED PER THE REQUIREMENTS OF FBC SECTION 1507.4.2 or 1515.2.
2. DESIGN OF SUBSTRATE IS BY OTHERS AND NOT A PART OF THIS APPROVAL.
3. ALL PANEL SYSTEM PERIMETERS, PENETRATIONS, AND TRANSITIONS TO BE FLASHED AND SEALED PER THE REQUIREMENTS OF RAS 133.
4. THE 26 Ga. THICKNESS LISTED IS MINIMUM, THICKER PANELS ARE ALSO APPROVED.

SCOTT WOLTERS FL PE# 62354		WOLTERS ENGINEERING (COA# 27194) 15211 97TH ROAD N WEST PALM BEACH, FL 33412 (561) 225-1982	
DYNAMIC METALS		PH: (772) 247-2465 FAX: (772) 247-2466 PH: (239) 265-1638 EMAIL: info@dynamicmetal.net	
2951 SE DOMINICA TERRACE STUART, FL 34997		2177 ANDREWS LANE FT. MYERS, FL 33912 www.dynamicmetal.net	
		DWG: 1SNS16-HZ SHEET:	
		1/1	

SCOTT WOLTERS
 PROFESSIONAL ENGINEER
 STATE OF FLORIDA
 No. 62354
 10/14/22
 1/24/24
 2023 CODE UPDATE
 LIST SUBMITTAL
 PRINTS ISSUED FOR REV.#