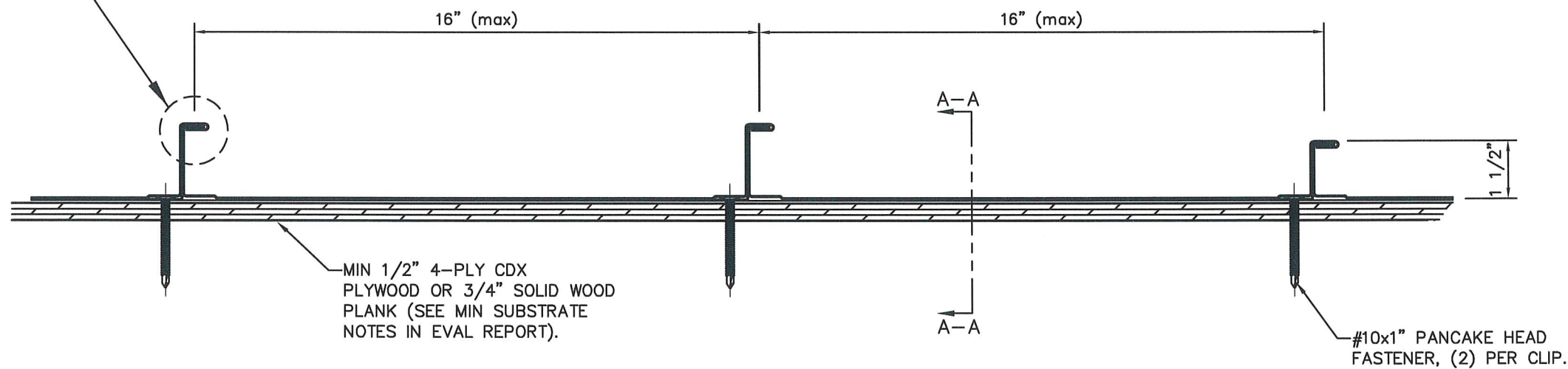
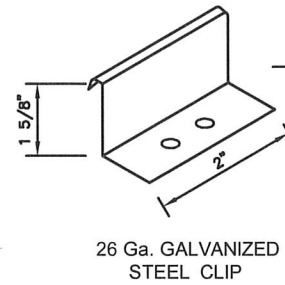
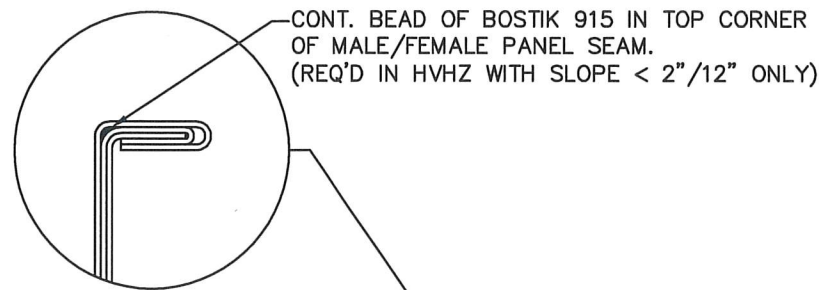
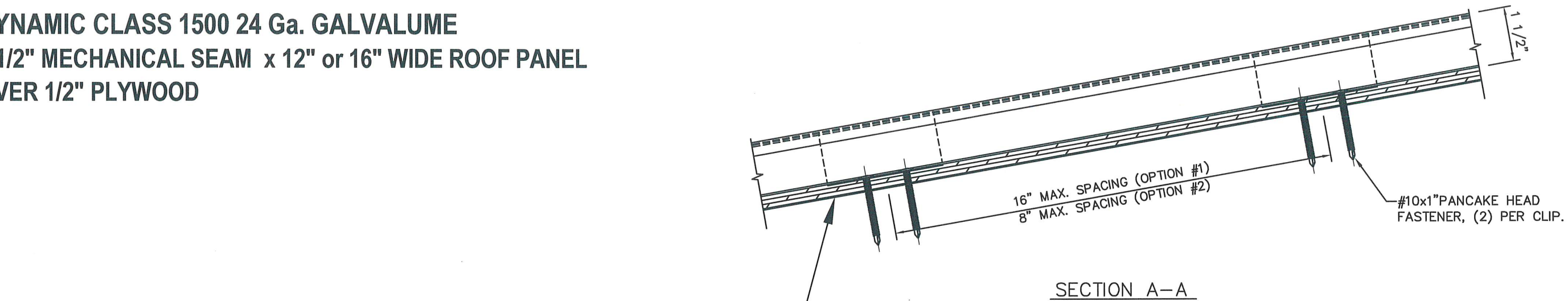
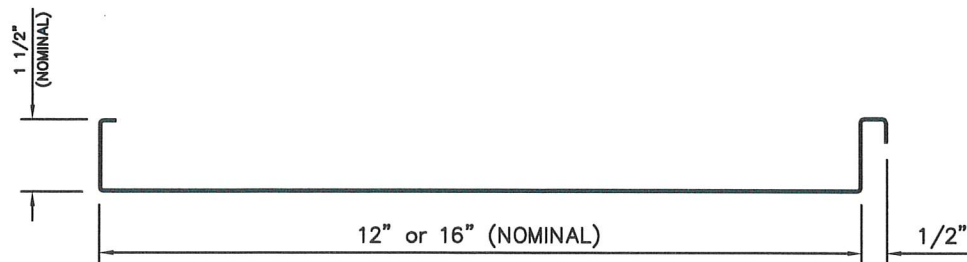


**DYNAMIC CLASS 1500 24 Ga. GALVALUME**  
**1 1/2" MECHANICAL SEAM x 12" or 16" WIDE ROOF PANEL**  
**OVER 1/2" PLYWOOD**



MAX DESIGN PRESSURE	
-166 Psf	(OPTION #1)
-198.5 Psf	(OPTION #2)



**PANEL PROFILE**

**GENERAL NOTES:**

1. ROOF SLOPE IS LIMITED PER THE REQUIREMENTS OF FBC SECTION 1507.4.2 or 1515.2.
2. DESIGN OF SUBSTRATE IS BY OTHERS AND NOT A PART OF THIS APPROVAL.
3. ALL PANEL SYSTEM PERIMETERS, PENETRATIONS, AND TRANSITIONS TO BE FLASHED AND SEALED PER THE REQUIREMENTS OF RAS 133.

DATE	10/14/22
REV#	1
DESCRIPTION	2023 CODE UPDATE
ISSUED FOR	1ST SUBMITTAL
PRINTS	PRINTS ISSUED FOR

SCOTT WOLTERS  
 LICENSE NO. 62354  
 STATE OF FLORIDA  
 PROFESSIONAL ENGINEER  
 EXPIRES 12/31/2024

SCOTT WOLTERS  
 FL PE# 62354  
 WOLTERS ENGINEERING  
 (COA# 27194)  
 15211 97TH ROAD N  
 WEST PALM BEACH, FL 33412  
 (561) 225-1982

**DYNAMIC METALS**  
 2951 SE DOMINICA TERRACE  
 STUART, FL 34997  
 PH: (772) 247-2465  
 FAX: (772) 247-2466  
 2177 ANDREWS LANE  
 FT. MYERS, FL 33912  
 PH: (239) 265-1638  
 EMAIL: info@dynamicmetal.net  
 www.dynamicmetal.net

