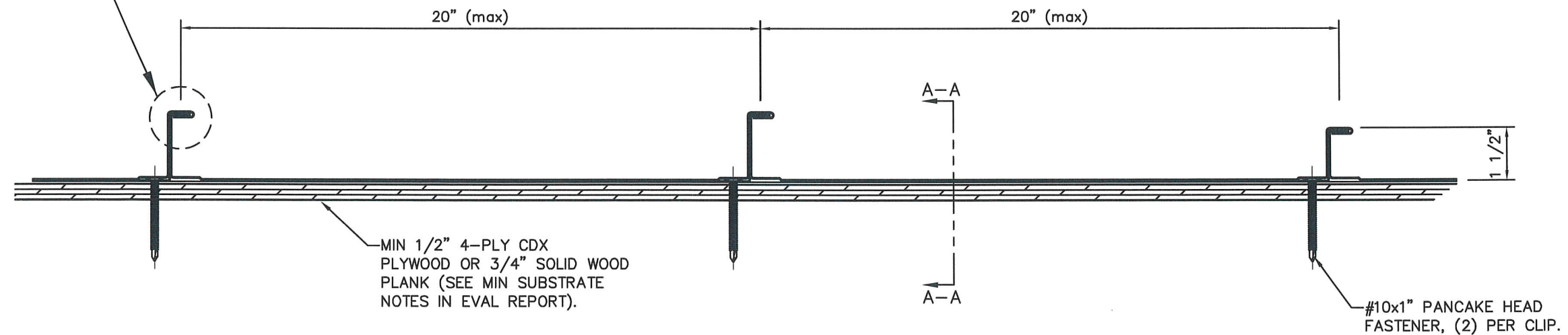
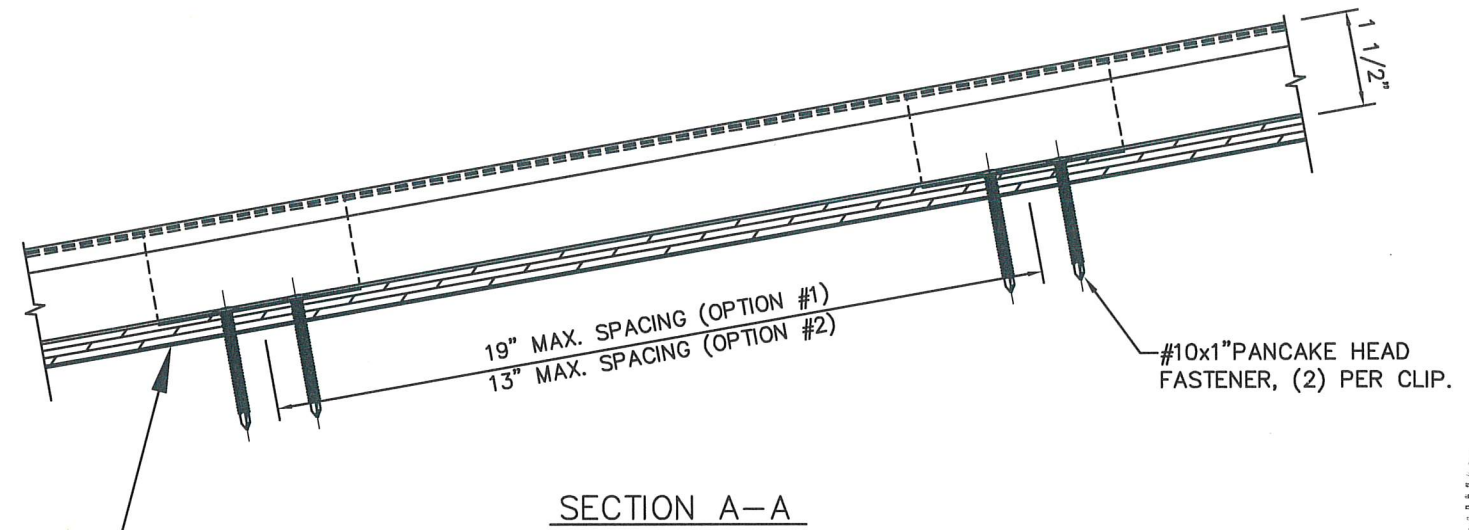
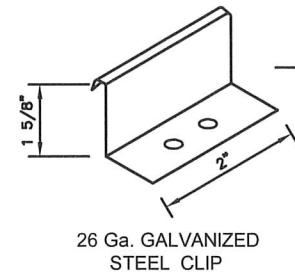
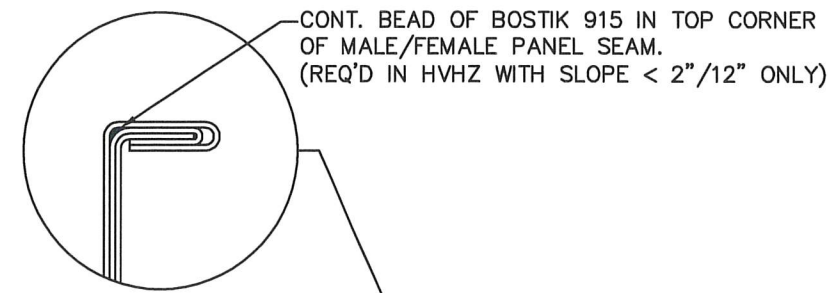
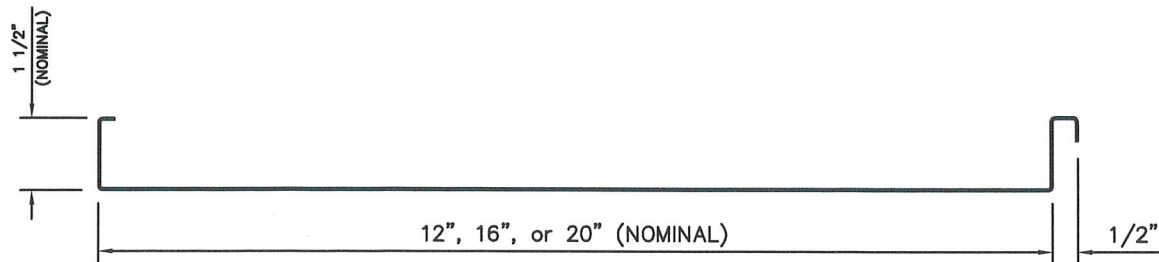


**DYNAMIC CLASS 1500 24 Ga. GALVALUME**  
**1 1/2" MECHANICAL SEAM x 12", 16", or 20" WIDE ROOF PANEL**  
**OVER 1/2" PLYWOOD**



MAX DESIGN PRESSURE	
-76 Psf	(OPTION #1)
-178 Psf	(OPTION #2)



PANEL PROFILE

**GENERAL NOTES:**

1. ROOF SLOPE IS LIMITED PER THE REQUIREMENTS OF FBC SECTION 1507.4.2 or 1515.2.
2. DESIGN OF SUBSTRATE IS BY OTHERS AND NOT A PART OF THIS APPROVAL.
3. ALL PANEL SYSTEM PERIMETERS, PENETRATIONS, AND TRANSITIONS TO BE FLASHED AND SEALED PER THE REQUIREMENTS OF RAS 133.

SCOTT WOLTERS  
 No 62354  
 STATE OF FLORIDA  
 PROFESSIONAL ENGINEER  
 SEAL: [Signature]  
 DATE: 10/14/22

SCOTT WOLTERS  
 FL PE# 62354  
 WOLTERS ENGINEERING  
 (COA# 27194)  
 15211 97TH ROAD N  
 WEST PALM BEACH, FL 33412  
 (561) 225-1962

**DYNAMIC METALS**  
 PH: (772) 247-2465  
 FAX: (772) 247-2466  
 PH: (239) 265-1638  
 EMAIL: [info@dynamicmetal.net](mailto:info@dynamicmetal.net)  
 2951 SE DOMINICA TERRACE  
 STUART, FL 34997  
 2177 ANDREWS LANE  
 FT. MYERS, FL 33912  
[www.dynamicmetal.net](http://www.dynamicmetal.net)



DWG: 1524MS20-HZ  
 SHEET: 1/1