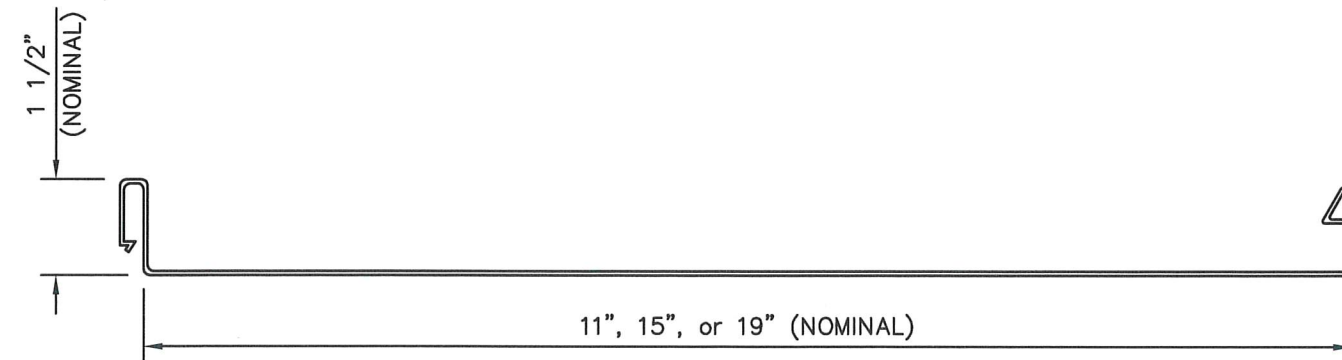
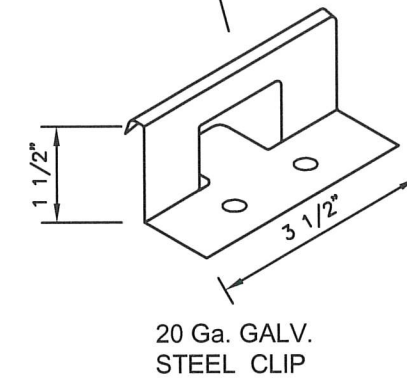
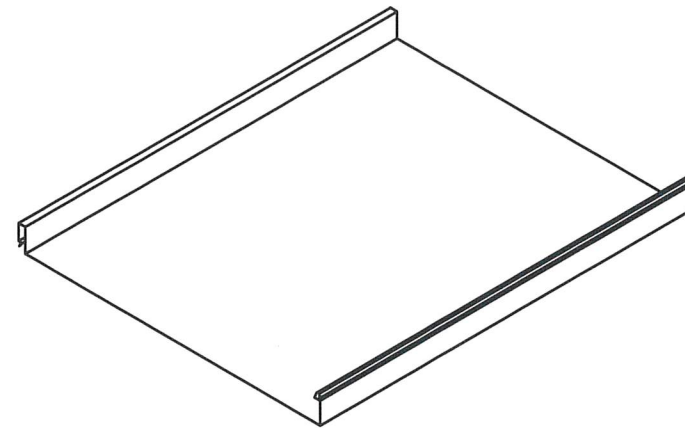
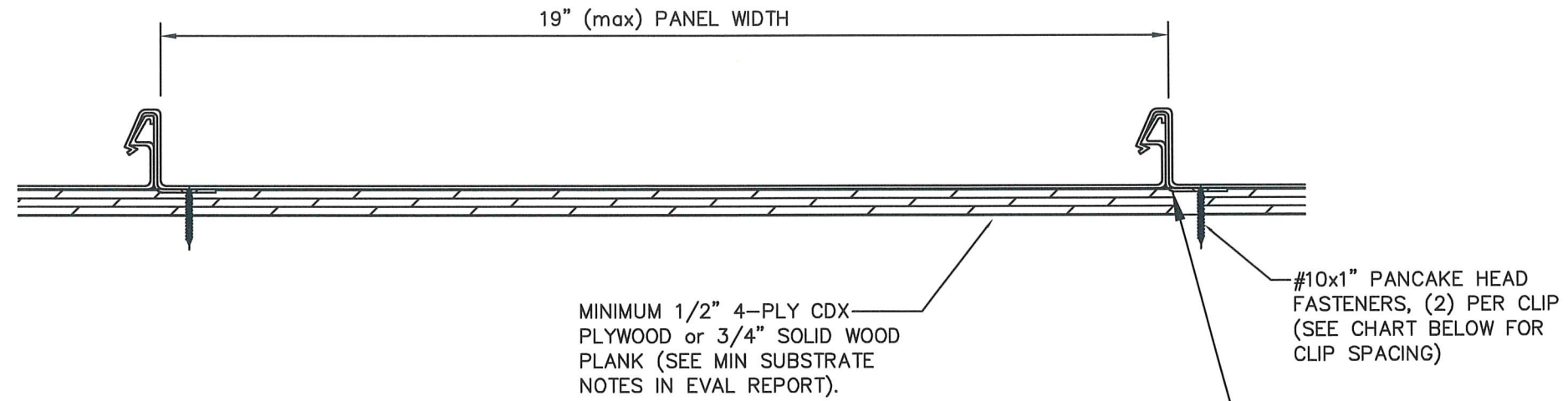


DYNAMIC CLASS 1700 0.032" ALUMINUM
1 1/2" SNAPLOCK x 11", 15", or 19" WIDE ROOF PANEL
OVER 1/2" PLYWOOD



PANEL PROFILE

| MAX DESIGN PRESSURE | |
|-----------------------|-------------|
| CLIPS SPACED 18" O.C. | -164.75 Psf |
| CLIPS SPACED 12" O.C. | -176 Psf |

GENERAL NOTES:

1. ROOF SLOPE IS LIMITED PER THE REQUIREMENTS OF FBC SECTION 1507.4.2 or 1515.2.
2. DESIGN OF SUBSTRATE IS BY OTHERS AND NOT A PART OF THIS APPROVAL.
3. ALL PANEL SYSTEM PERIMETERS, PENETRATIONS, AND TRANSITIONS TO BE FLASHED AND SEALED PER THE REQUIREMENTS OF RAS 133.
4. THE 0.032" THICKNESS LISTED IS MINIMUM. THICKER PANELS ARE ALSO APPROVED.

SCOTT WOLTERS
 No. 62354
 STATE OF FLORIDA
 PROFESSIONAL ENGINEER

2025 CODE UPDATE
 1/24/24
 2025 SUBMITTAL
 10/14/22

SCOTT WOLTERS
 FL PE# 62354

WOLTERS ENGINEERING
 (COA# 27194)
 15211 97TH ROAD N
 WEST PALM BEACH, FL 33412
 (561) 225-1982

DYNAMIC METALS

PH: (772) 247-2465
 FAX: (772) 247-2466
 PH: (239) 265-1638
 EMAIL: info@dynamicmetal.net

2951 SE DOMINICA TERRACE
 STUART, FL 34997

2177 ANDREWS LANE
 FT. MYERS, FL 33912
www.dynamicmetal.net

DWG: 17ASL19-HZ

SHEET: 1/1