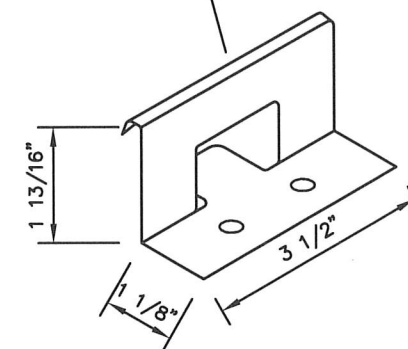
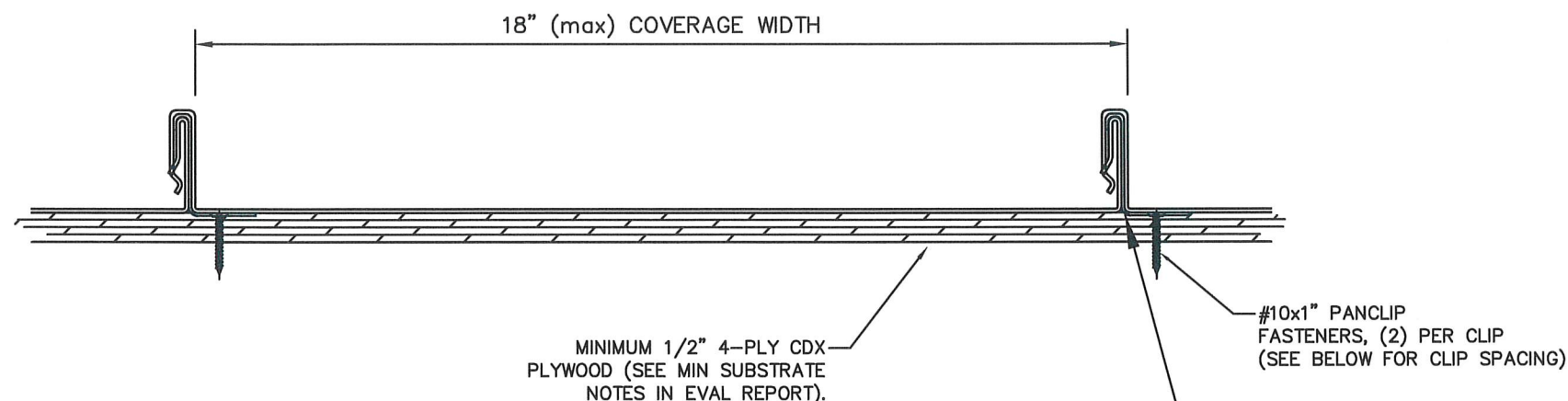
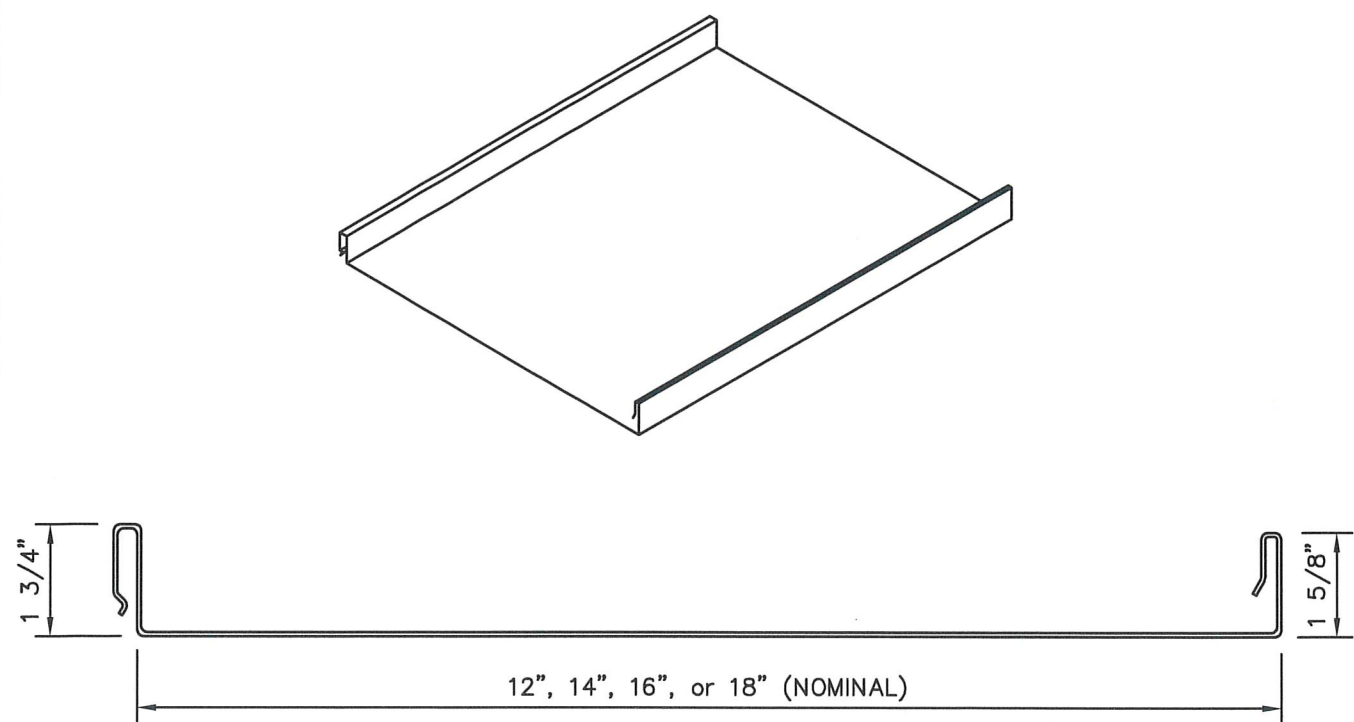


DYNAMIC CLASS 1750 0.032" ALUMINUM
1 3/4" SNAPLOCK x 12", 14", 16", or 18" WIDE ROOF PANEL
OVER 1/2" PLYWOOD



18 Ga. GALVANIZED
STEEL CLIP

MAX DESIGN PRESSURE	
CLIPS SPACED 16" O.C:	-147.5 Psf
CLIPS SPACED 8" O.C:	-191 Psf



PANEL PROFILE

GENERAL NOTES:

1. ROOF SLOPE IS LIMITED PER THE REQUIREMENTS OF FBC SECTION 1507.4.2 or 1515.2.
2. DESIGN OF SUBSTRATE IS BY OTHERS AND NOT A PART OF THIS APPROVAL.
3. ALL PANEL SYSTEM PERIMETERS, PENETRATIONS, AND TRANSITIONS TO BE FLASHED AND SEALED PER THE REQUIREMENTS OF RAS 133.
4. THE 0.032" THICKNESS LISTED IS MINIMUM. THICKER PANELS ARE ALSO APPROVED.

<p>SCOTT WOLTERS FL PE# 62354</p> <p>WOLTERS ENGINEERING (COA# 27194) 15211 97TH ROAD N WEST PALM BEACH, FL 33412 (561) 225-1982</p>	<p>2025 CODE UPDATE</p>	1	1/24/24
	<p>457 SUBMITTAL</p>		
<p>SCOTT WOLTERS FL PE# 62354</p> <p>WOLTERS ENGINEERING (COA# 27194) 15211 97TH ROAD N WEST PALM BEACH, FL 33412 (561) 225-1982</p>	<p>SEAL</p>	<p>PROFESSIONAL</p>	<p>DATE</p>

DYNAMIC METALS

2951 SE DOMINICA TERRACE
STUART, FL 34997

PH: (772) 247-2465
FAX: (772) 247-2466

2177 ANDREWS LANE
FT. MYERS, FL 33912

PH: (239) 265-1638

EMAIL: info@dynamicmetal.net
www.dynamicmetal.net

DWG: 17ASL18-HZ
SHEET: 1/1