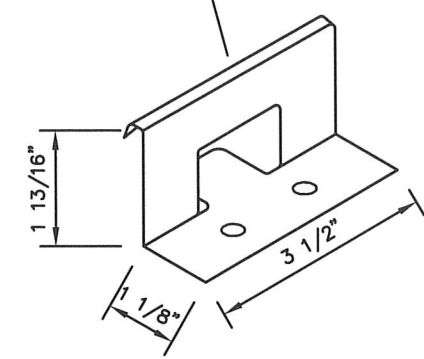
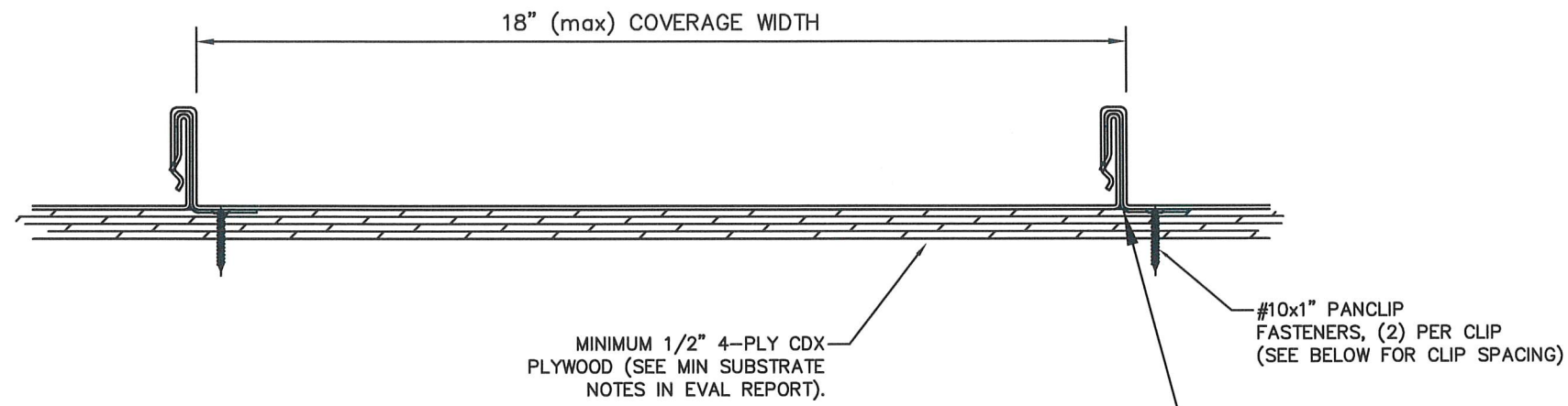
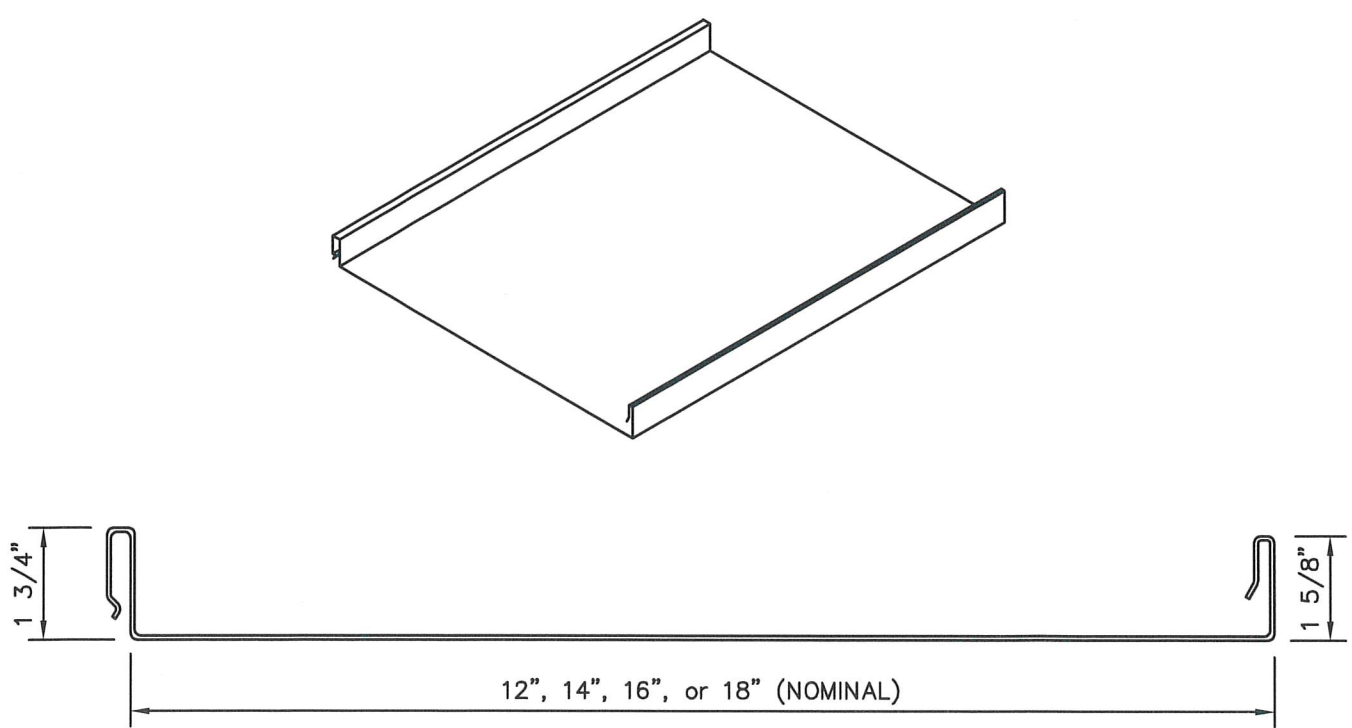


**DYNAMIC CLASS 1750 24 Ga. GALVALUME**  
**1 3/4" SNAPLOCK x 12", 14", 16", or 18" WIDE ROOF PANEL**  
**OVER 1/2" PLYWOOD**



18 Ga. GALVANIZED STEEL CLIP

MAX DESIGN PRESSURE	
CLIPS SPACED 16" O.C:	-166 Psf
CLIPS SPACED 8" O.C:	-243.5 Psf



PANEL PROFILE

**GENERAL NOTES:**

1. ROOF SLOPE IS LIMITED PER THE REQUIREMENTS OF FBC SECTION 1507.4.2 or 1515.2.
2. DESIGN OF SUBSTRATE IS BY OTHERS AND NOT A PART OF THIS APPROVAL.
3. ALL PANEL SYSTEM PERIMETERS, PENETRATIONS, AND TRANSITIONS TO BE FLASHED AND SEALED PER THE REQUIREMENTS OF RAS 133.

SCOTT WOLTERS  
 No. 62354  
 STATE OF FLORIDA  
 PROFESSIONAL ENGINEER  
 EXPIRES 1/24/24

SCOTT WOLTERS  
 FL PE# 62354

WOLTERS ENGINEERING  
 (COA# 27194)  
 15211 97TH ROAD N  
 WEST PALM BEACH, FL 33412  
 (561) 225-1982

PH: (772) 247-2465  
 FAX: (772) 247-2466  
 PH: (239) 265-1638  
 EMAIL: [info@dynamicmetal.net](mailto:info@dynamicmetal.net)

**DYNAMIC METALS**

2951 SE DOMINICA TERRACE  
 STUART, FL 34997

2177 ANDREWS LANE  
 FT. MYERS, FL 33912  
[www.dynamicmetal.net](http://www.dynamicmetal.net)

DWG: **17SSL18-HZ**  
 SHEET: **1/1**

REV.#	ISSUED FOR	DATE
1	TEST SUBMITTAL	10/14/22
2	CODE UPDATE	1/24/24