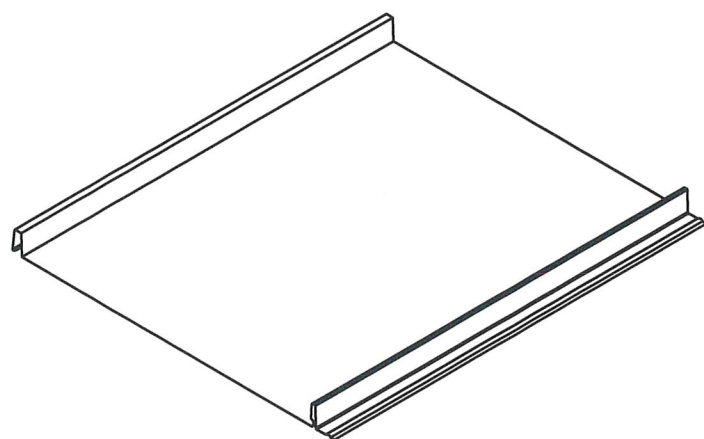
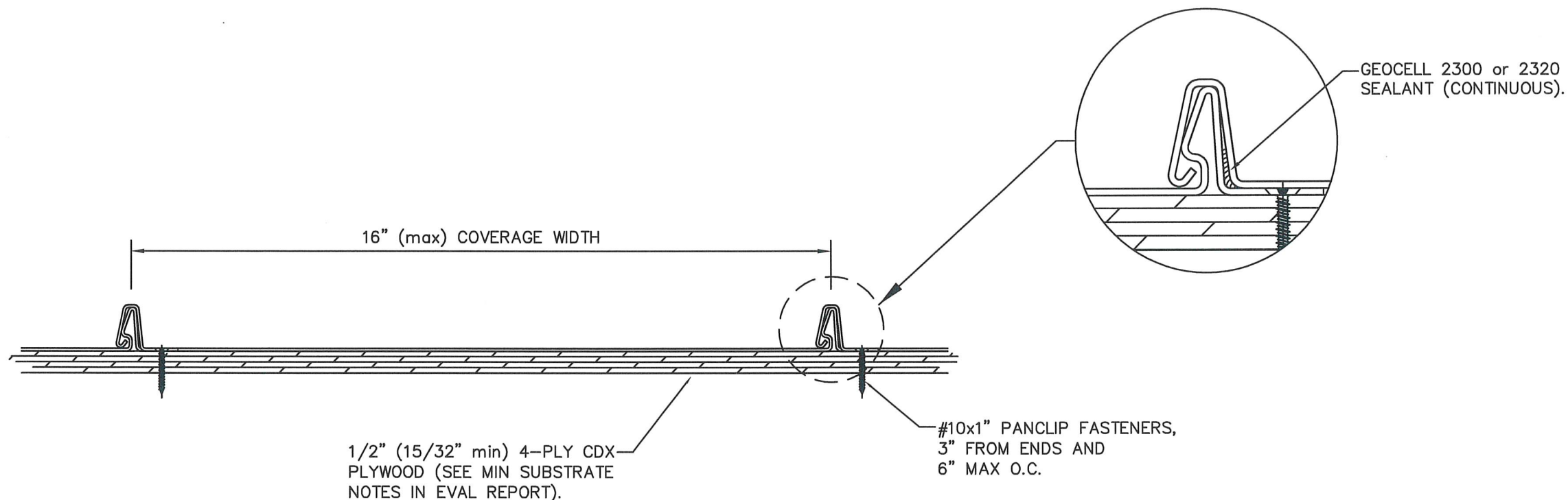
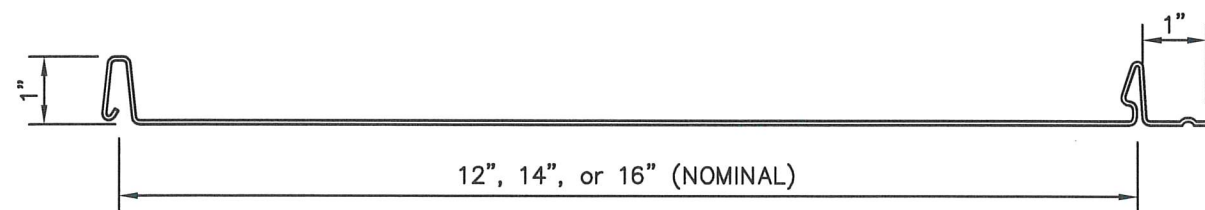


**DYNAMIC CLASS 1000 0.032" ALUMINUM  
1" NAILSTRIP x 12", 14" or 16" WIDE ROOF PANEL  
OVER 1/2" PLYWOOD**



MAX DESIGN PRESSURE  
-175 Psf



PANEL PROFILE

GENERAL NOTES:

1. ROOF SLOPE IS LIMITED PER THE REQUIREMENTS OF FBC SECTION 1507.4.2 or 1515.2.
2. DESIGN OF SUBSTRATE IS BY OTHERS AND NOT A PART OF THIS APPROVAL.
3. ALL PANEL SYSTEM PERIMETERS, PENETRATIONS, AND TRANSITIONS TO BE FLASHED AND SEALED PER THE REQUIREMENTS OF RAS 133.
4. THE 0.032" THICKNESS LISTED IS MINIMUM. THICKER PANELS ARE ALSO APPROVED.

SCOTT WOLTERS FL PE# 62354		SCOTT WOLTERS FL PE# 62354		SCOTT WOLTERS FL PE# 62354	
WOLTERS ENGINEERING (COA# 27194) 15211 97TH ROAD N WEST PALM BEACH, FL 33412 (561) 225-1982		WOLTERS ENGINEERING (COA# 27194) 15211 97TH ROAD N WEST PALM BEACH, FL 33412 (561) 225-1982		WOLTERS ENGINEERING (COA# 27194) 15211 97TH ROAD N WEST PALM BEACH, FL 33412 (561) 225-1982	
DYNAMIC METALS		DYNAMIC METALS		DYNAMIC METALS	
2951 SE DOMINICA TERRACE STUART, FL 34997		2951 SE DOMINICA TERRACE STUART, FL 34997		2951 SE DOMINICA TERRACE STUART, FL 34997	
PH: (772) 247-2465 FAX: (772) 247-2466		PH: (772) 247-2465 FAX: (772) 247-2466		PH: (772) 247-2465 FAX: (772) 247-2466	
2177 ANDREWS LANE FT. MYERS, FL 33912		2177 ANDREWS LANE FT. MYERS, FL 33912		2177 ANDREWS LANE FT. MYERS, FL 33912	
PH: (239) 265-1638		PH: (239) 265-1638		PH: (239) 265-1638	
www.dynamicmetal.net		www.dynamicmetal.net		www.dynamicmetal.net	
EMAIL: info@dynamicmetal.net		EMAIL: info@dynamicmetal.net		EMAIL: info@dynamicmetal.net	
DWC: 1ANS16-HZ		DWC: 1ANS16-HZ		DWC: 1ANS16-HZ	
SHEET: 1/1		SHEET: 1/1		SHEET: 1/1	