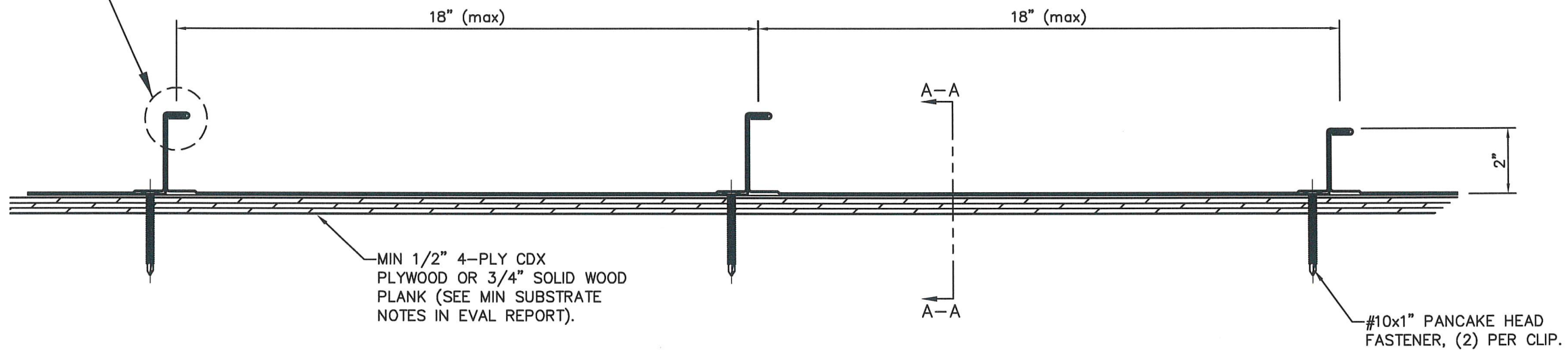
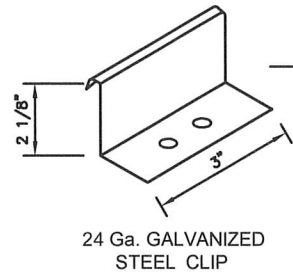
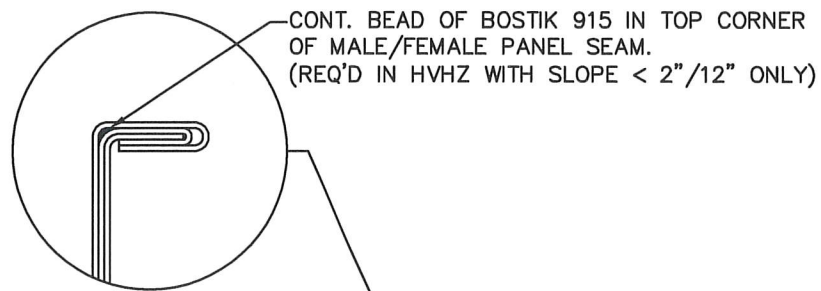
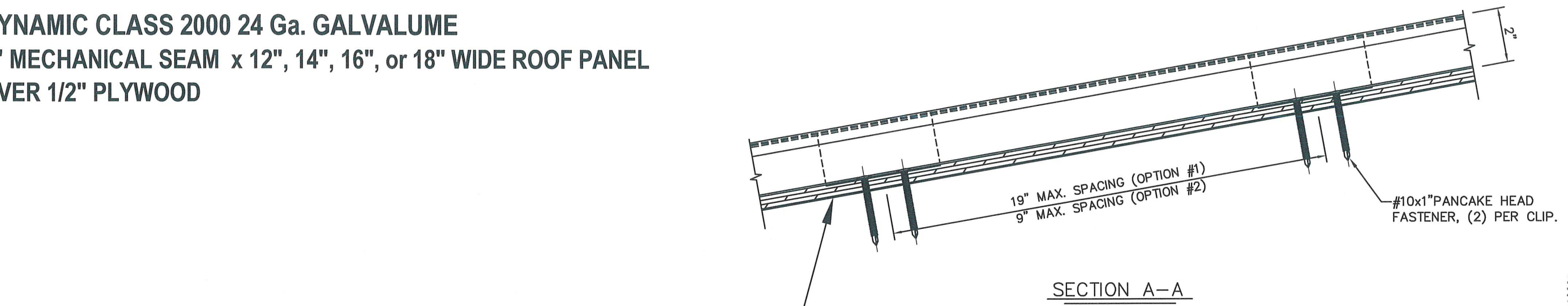
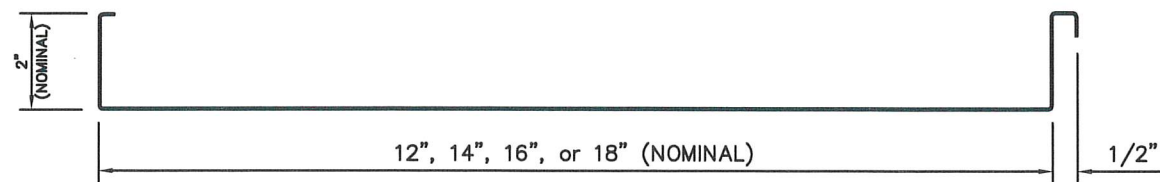


DYNAMIC CLASS 2000 24 Ga. GALVALUME
2" MECHANICAL SEAM x 12", 14", 16", or 18" WIDE ROOF PANEL
OVER 1/2" PLYWOOD



MAX DESIGN PRESSURE
-173.75 Psf (OPTION #1)
-221.5 Psf (OPTION #2)



PANEL PROFILE

GENERAL NOTES:

1. ROOF SLOPE IS LIMITED PER THE REQUIREMENTS OF FBC SECTION 1507.4.2 or 1515.2.
2. DESIGN OF SUBSTRATE IS BY OTHERS AND NOT A PART OF THIS APPROVAL.
3. ALL PANEL SYSTEM PERIMETERS, PENETRATIONS, AND TRANSITIONS TO BE FLASHED AND SEALED PER THE REQUIREMENTS OF RAS 133.

NO.	DATE	DESCRIPTION	BY	CHKD
1	1/24/24	2023 CODE UPDATE		
2	10/14/22	1ST SUBMITTAL		

PRINTS ISSUED FOR REV.#

SCOTT WOLTERS
 FL PE# 62354

WOLTERS ENGINEERING
 (COA# 27194)
 15211 97TH ROAD N
 WEST PALM BEACH, FL 33412
 (561) 225-1982

DYNAMIC METALS

PH: (772) 247-2465
 FAX: (772) 247-2466
 PH: (239) 265-1638
 EMAIL: info@dynamicmetal.net

2951 SE DOMINICA TERRACE
 STUART, FL 34997

2177 ANDREWS LANE
 FT. MYERS, FL 33912
www.dynamicmetal.net



DWG: 2SMS18-HZ
 SHEET: 1/1