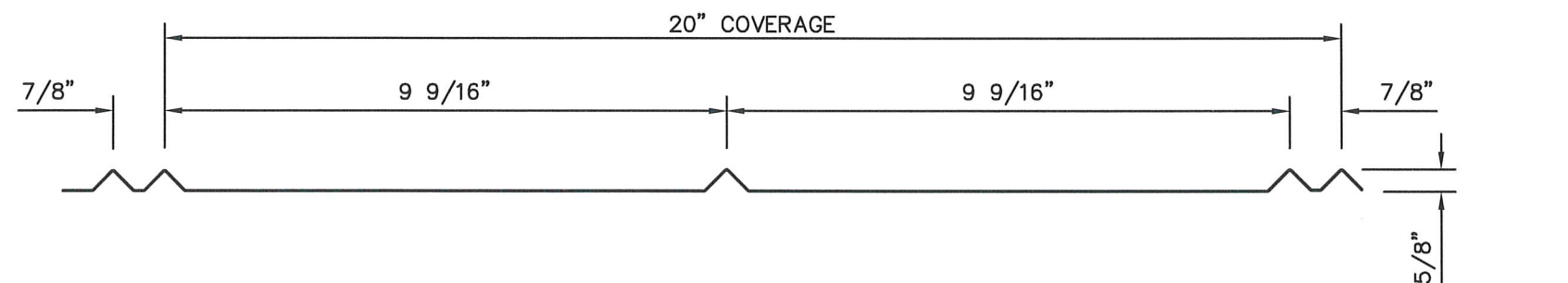
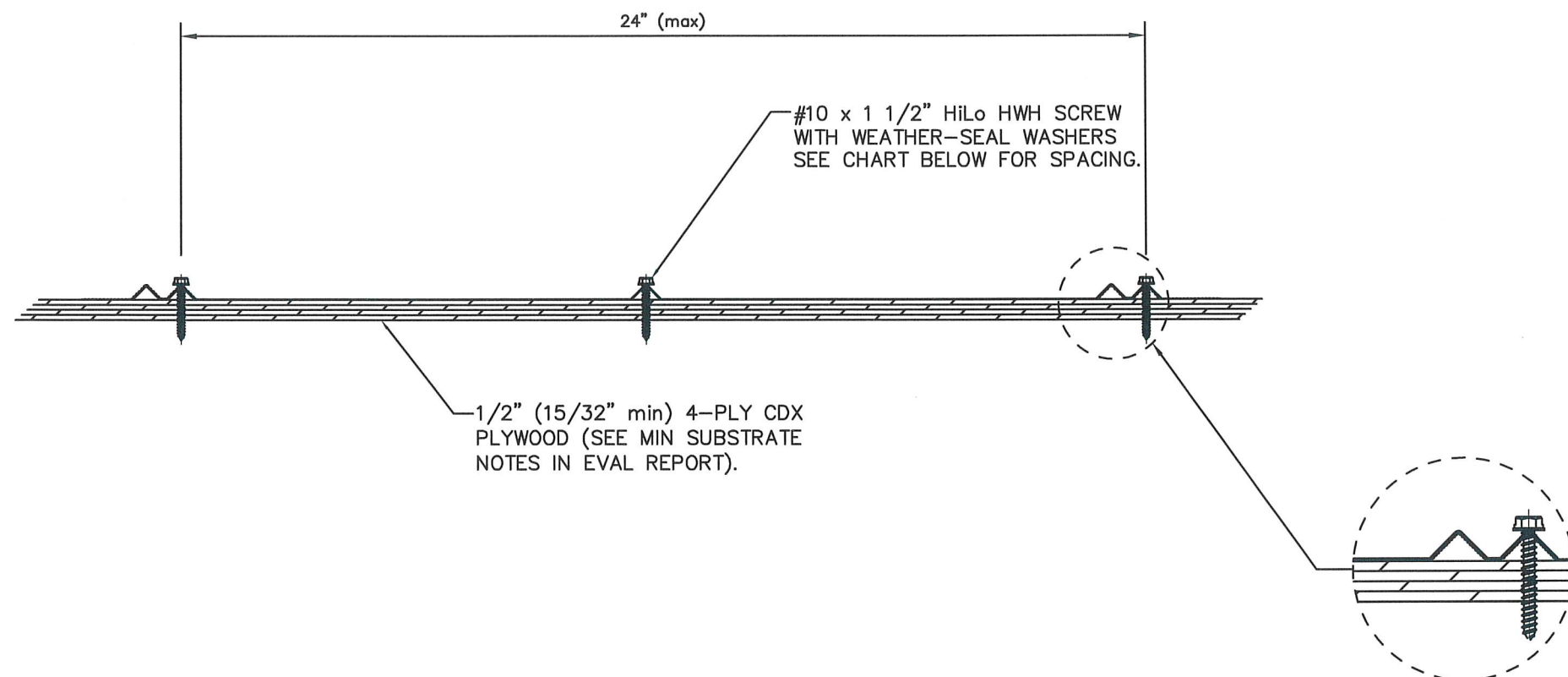
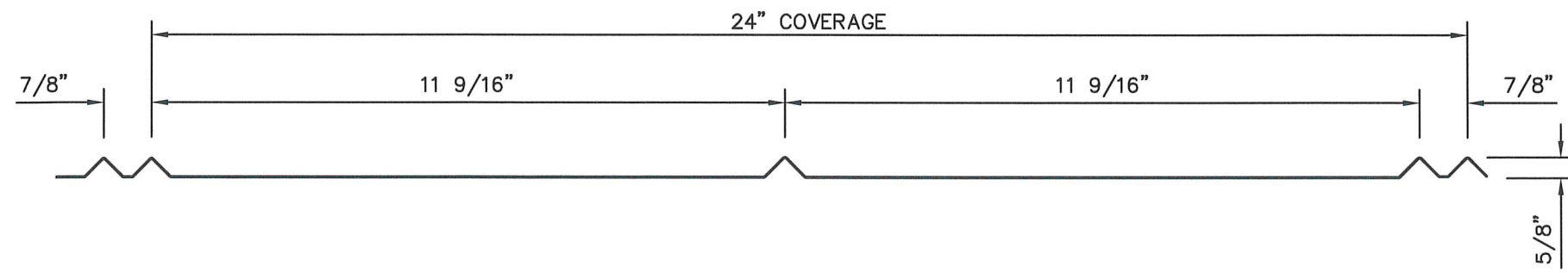


**DYNAMIC CLASS 500 0.032" ALUMINUM
5V CRIMP x 20" or 24" WIDE ROOF PANEL
OVER 1/2" PLYWOOD**



MAX DESIGN PRESSURE	
SCREWS SPACED 16" O.C:	-116.25 Psf
SCREWS SPACED 8" O.C:	-183.5 Psf



PANEL PROFILE

GENERAL NOTES:

1. ROOF SLOPE IS LIMITED PER THE REQUIREMENTS OF FBC SECTION 1507.4.2 or 1515.2.
2. DESIGN OF SUBSTRATE IS BY OTHERS AND NOT A PART OF THIS APPROVAL.
3. ALL PANEL SYSTEM PERIMETERS, PENETRATIONS, AND TRANSITIONS TO BE FLASHED AND SEALED PER THE REQUIREMENTS OF RAS 133.
4. THE 0.032" THICKNESS LISTED IS MINIMUM. THICKER PANELS ARE ALSO APPROVED.

	SCOTT WOLTERS FL PE# 62354	WOLTERS ENGINEERING (COA# 27194) 15211 97TH ROAD N WEST PALM BEACH, FL 33412 (561) 225-1982	PH: (772) 247-2465 FAX: (772) 247-2466 PH: (239) 265-1638 EMAIL: info@dynamicmetal.net	DYNAMIC METALS 2951 SE DOMINICA TERRACE STUART, FL 34997 2177 ANDREWS LANE FT. MYERS, FL 33912 www.dynamicmetal.net	DWG: 5A5V24-HZ SHEET: 1/1
	2023 CODE UPDATE 1ST-SUBMITTAL PRINTS ISSUED FOR REV.# DATE	1 10/14/24	10/14/24	10/14/24	10/14/24