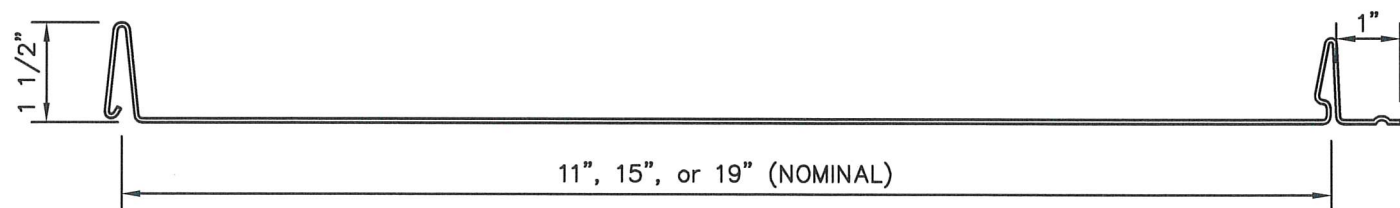
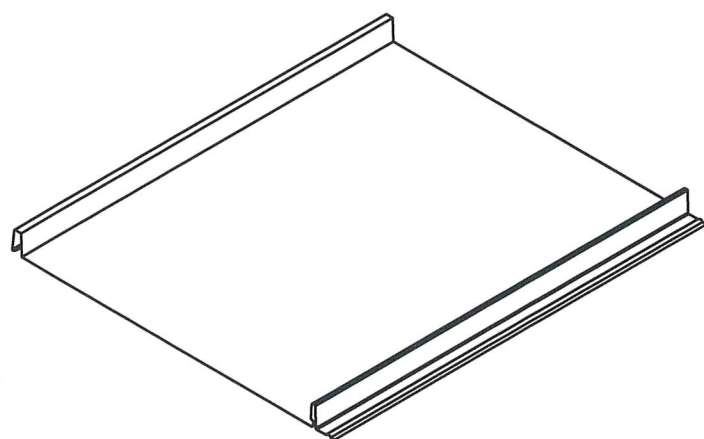
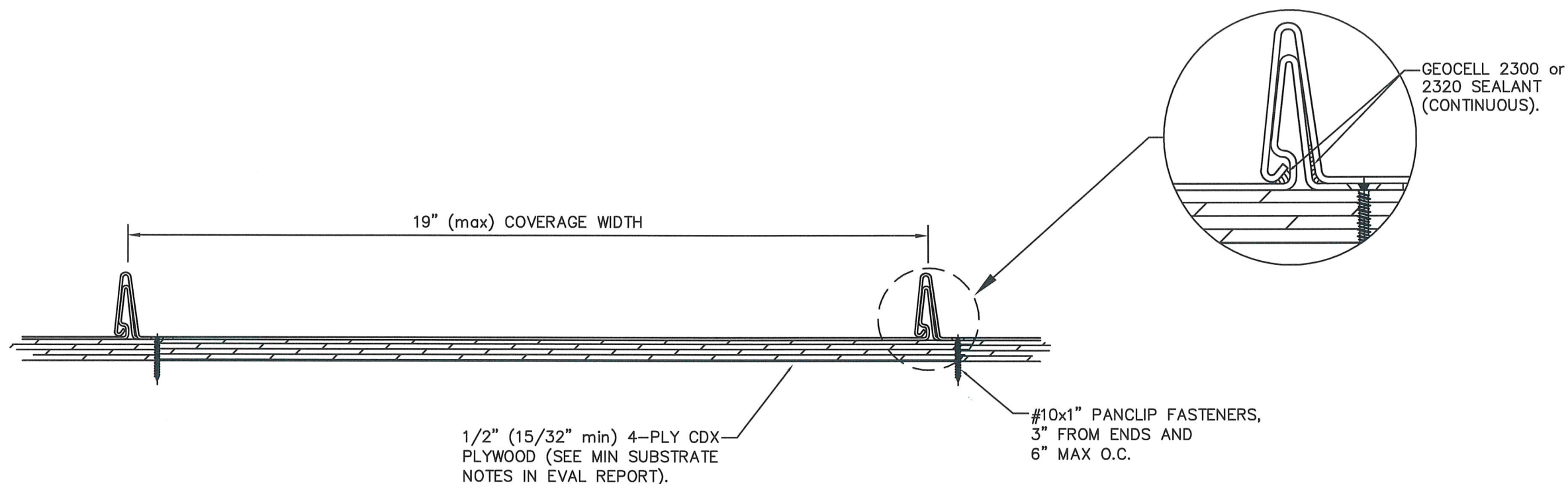


DYNAMIC CLASS 1050 0.032" ALUMINUM
1 1/2" NAILSTRIP x 11", 15, or 19" WIDE ROOF PANEL
OVER 1/2" PLYWOOD



PANEL PROFILE

MAX DESIGN PRESSURE
-168 Psf

GENERAL NOTES:


1. ROOF SLOPE IS LIMITED PER THE REQUIREMENTS OF FBC SECTION 1507.4.2 or 1515.2.
2. DESIGN OF SUBSTRATE IS BY OTHERS AND NOT A PART OF THIS APPROVAL.
3. ALL PANEL SYSTEM PERIMETERS, PENETRATIONS, AND TRANSITIONS TO BE FLASHED AND SEALED PER THE REQUIREMENTS OF RAS 133.
4. THE 0.032" THICKNESS LISTED IS MINIMUM. THICKER PANELS ARE ALSO APPROVED.

SCOTT WALTERS SEAL No. 62354	SCOTT WALTERS No. 62354	2023 CODE UPDATE	1/24/24	DATE
WALTERS ENGINEERING (COA# 27194) 15211 97TH ROAD N WEST PALM BEACH, FL 33412 (561) 225-1982	WALTERS ENGINEERING (COA# 27194) 15211 97TH ROAD N WEST PALM BEACH, FL 33412 (561) 225-1982	LIST SUBMITTAL	10/14/22	PRINTS ISSUED FOR REV.#

DYNAMIC METALS

2951 SE DOMINICA TERRACE
STUART, FL 34997
PH: (772) 247-2465
FAX: (772) 247-2466

2177 ANDREWS LANE
FT. MYERS, FL 33912
PH: (239) 265-1638
EMAIL: info@dynamicmetal.net
www.dynamicmetal.net



DWG: **15ANS19-HZ**
SHEET: 1/1