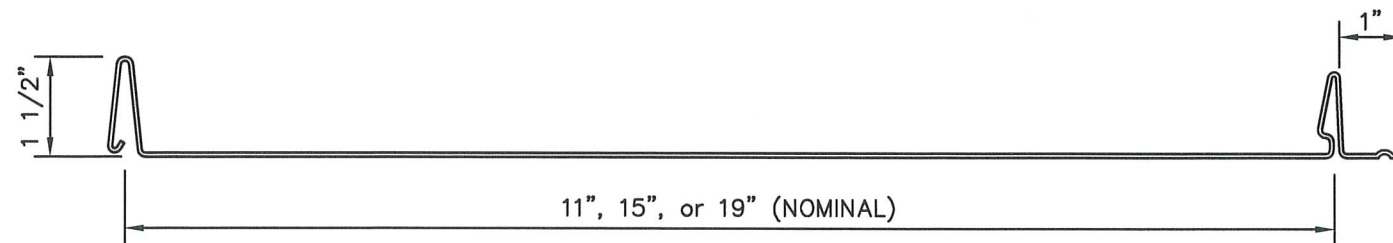
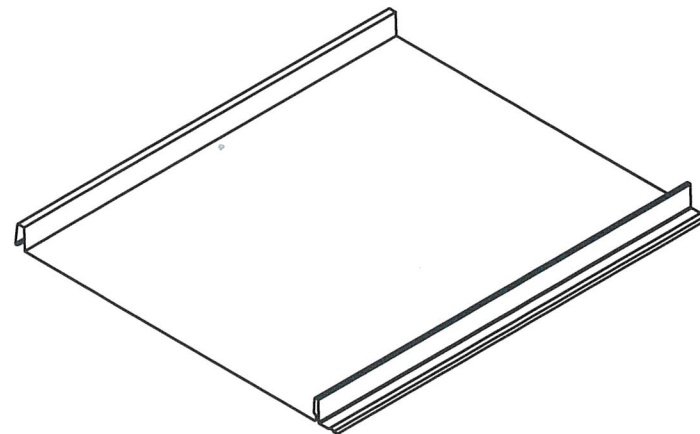
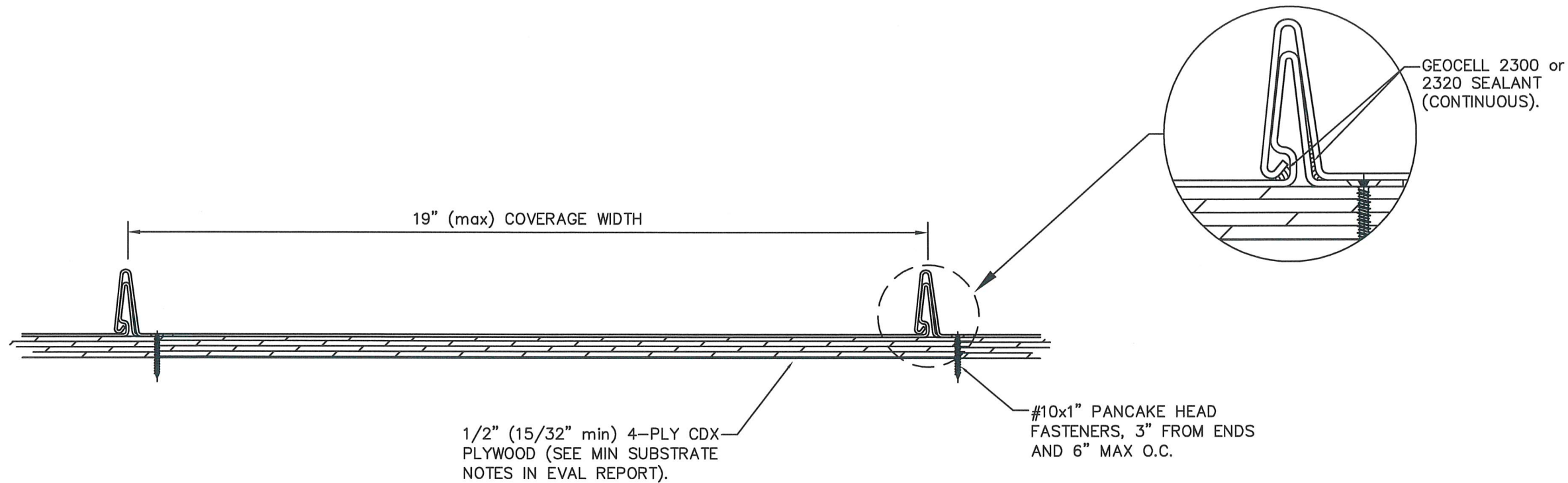


DYNAMIC CLASS 1050 24 Ga. GALVALUME
1 1/2" NAILSTRIP x 11", 15", or 19" WIDE ROOF PANEL
OVER 1/2" PLYWOOD



PANEL PROFILE

MAX DESIGN PRESSURE
-112.5 Psf

GENERAL NOTES:

1. ROOF SLOPE IS LIMITED PER THE REQUIREMENTS OF FBC SECTION 1507.4.2 or 1515.2.
2. DESIGN OF SUBSTRATE IS BY OTHERS AND NOT A PART OF THIS APPROVAL.
3. ALL PANEL SYSTEM PERIMETERS, PENETRATIONS, AND TRANSITIONS TO BE FLASHED AND SEALED PER THE REQUIREMENTS OF RAS 133.

DATE	10/14/22
REV#	1
DESCRIPTION	2023 CODE UPDATE
ISSUED FOR	FIRST SUBMITTAL
REV#	1
DATE	1/24/24

SCOTT WOLTERS
 FL PE# 62354

WOLTERS ENGINEERING
 (COA# 27194)
 15211 97TH ROAD N
 WEST PALM BEACH, FL 33412
 (561) 225-1982

DYNAMIC METALS

2951 SE DOMINICA TERRACE
 STUART, FL 34997

PH: (772) 247-2465
 FAX: (772) 247-2466

2177 ANDREWS LANE
 FT. MYERS, FL 33912

PH: (239) 265-1638

www.dynamicmetal.net
 EMAIL: info@dynamicmetal.net

PROFESSIONAL ENGINEER
 STATE OF FLORIDA
 No 62354

DWG:
15SNS19-HZ

SHEET:
 1/1