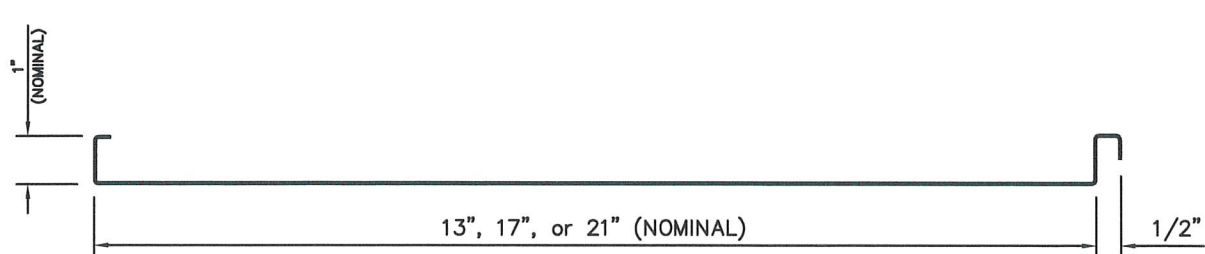
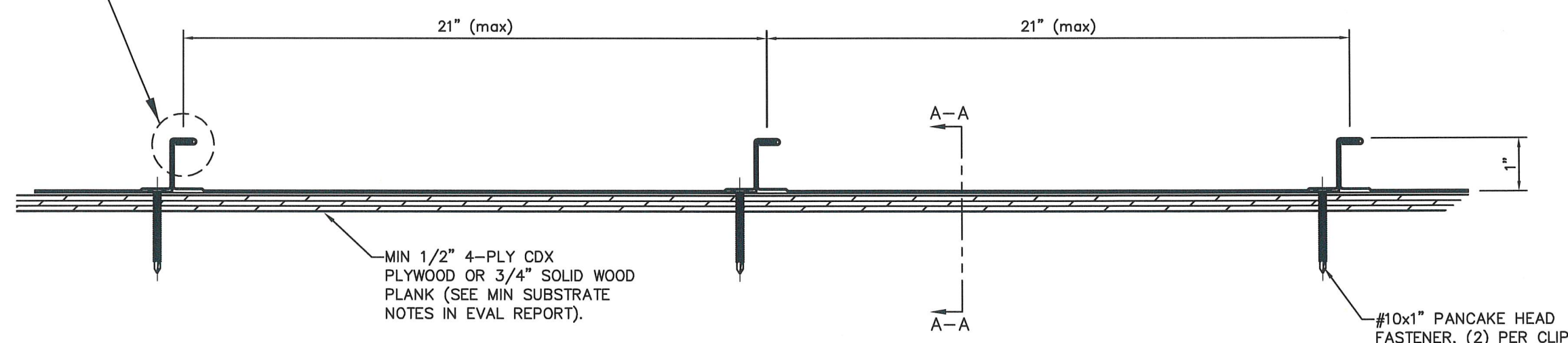
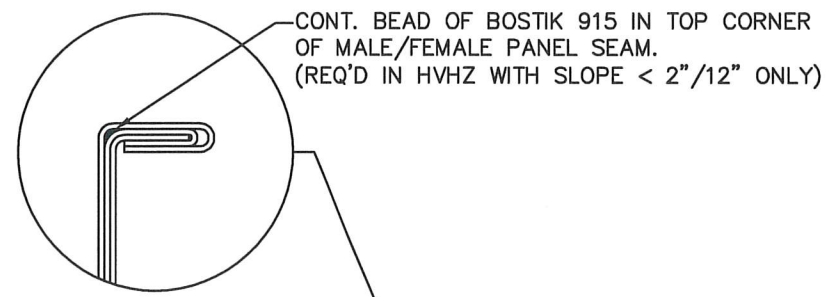
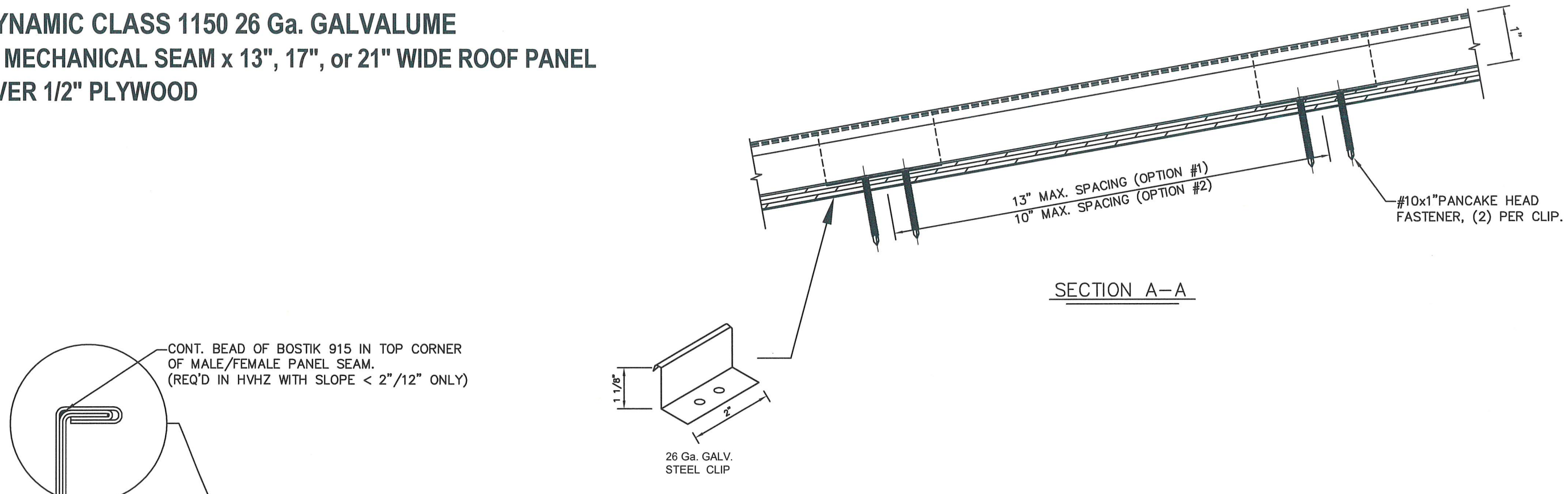


DYNAMIC CLASS 1150 26 Ga. GALVALUME
1" MECHANICAL SEAM x 13", 17", or 21" WIDE ROOF PANEL
OVER 1/2" PLYWOOD



MAX DESIGN PRESSURE	
-67.5 Psf	(OPTION #1)
-101 Psf	(OPTION #2)

GENERAL NOTES:

1. ROOF SLOPE IS LIMITED PER THE REQUIREMENTS OF FBC SECTION 1507.4.2 or 1515.2.
2. DESIGN OF SUBSTRATE IS BY OTHERS AND NOT A PART OF THIS APPROVAL.
3. ALL PANEL SYSTEM PERIMETERS, PENETRATIONS, AND TRANSITIONS TO BE FLASHED AND SEALED PER THE REQUIREMENTS OF RAS 133.
4. THE 26 Ga. THICKNESS LISTED IS MINIMUM. THICKER PANELS ARE ALSO APPROVED.

SCOTT WOLTERS
 FL PE# 62354

WOLTERS ENGINEERING
 (CO.# 27194)
 15211 97TH ROAD N
 WEST PALM BEACH, FL 33412
 (561) 225-1982

2023 CODE UPDATE 1 1/24/24
 TEST SUBMITTAL
 PRINTS ISSUED FOR REV.#

DATE 10/14/22

SCOTT WOLTERS
 No. 62354
 STATE OF FLORIDA
 JAN 24 2024
 PROFESSIONAL ENGINEER

DYNAMIC METALS

2951 SE DOMINICA TERRACE
 STUART, FL 34997

PH: (772) 247-2465
 FAX: (772) 247-2466

2177 ANDREWS LANE
 FT. MYERS, FL 33912

PH: (239) 265-1638

EMAIL: info@dynamicmetal.net

www.dynamicmetal.net

