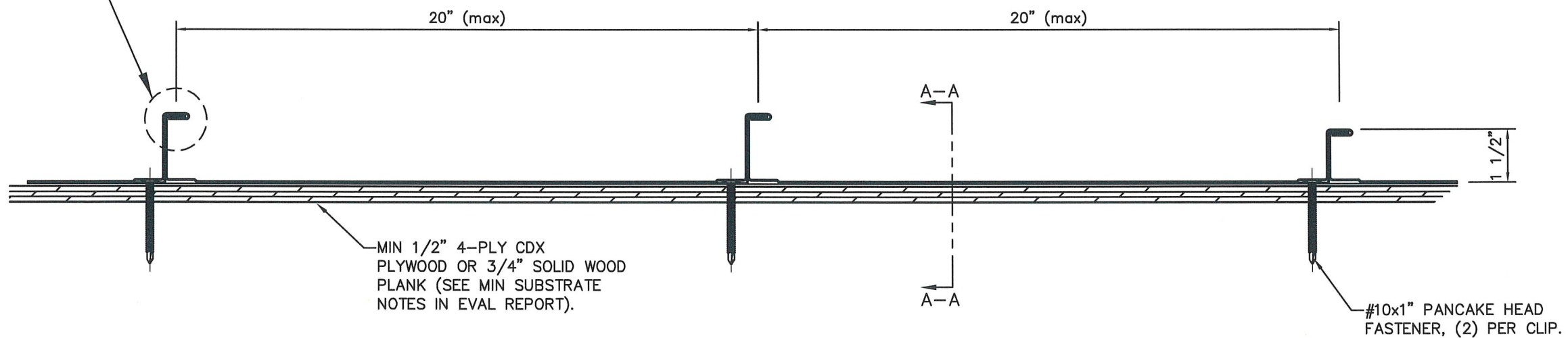
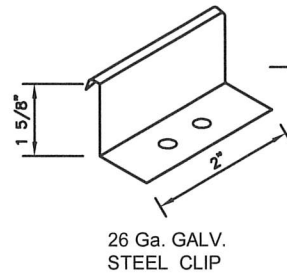
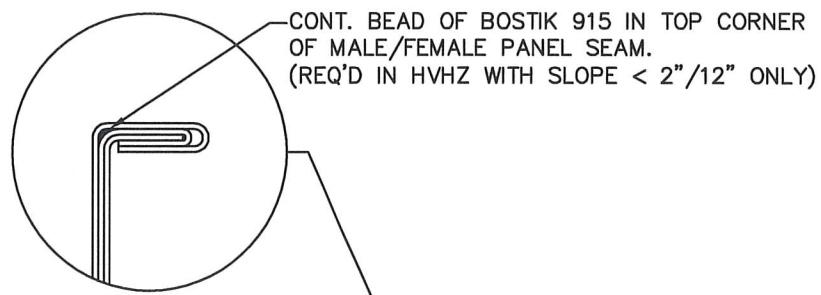
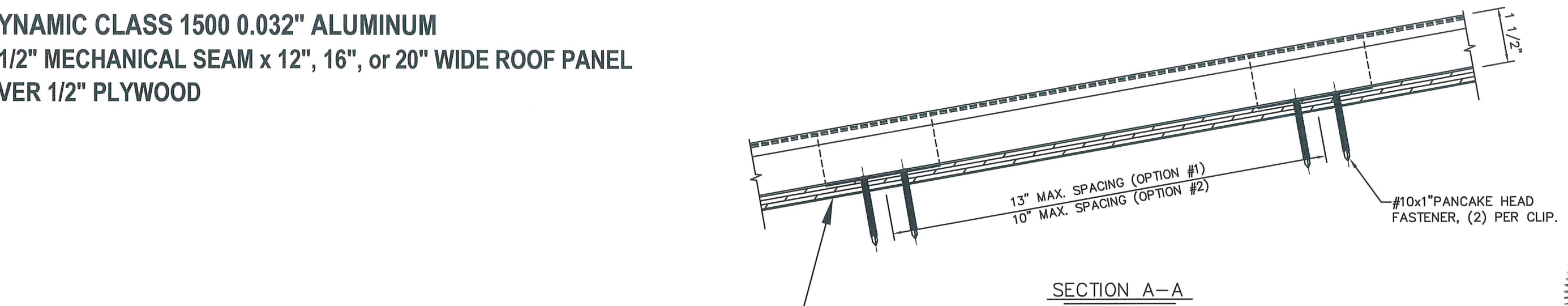
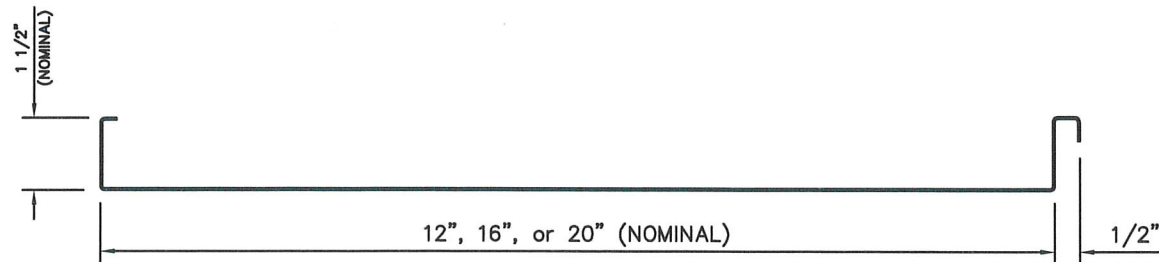


DYNAMIC CLASS 1500 0.032" ALUMINUM
1 1/2" MECHANICAL SEAM x 12", 16", or 20" WIDE ROOF PANEL
OVER 1/2" PLYWOOD



MAX DESIGN PRESSURE
-156 Psf (OPTION #1)
-198.5 Psf (OPTION #2)



PANEL PROFILE

GENERAL NOTES:

1. ROOF SLOPE IS LIMITED PER THE REQUIREMENTS OF FBC SECTION 1507.4.2 or 1515.2.
2. DESIGN OF SUBSTRATE IS BY OTHERS AND NOT A PART OF THIS APPROVAL.
3. ALL PANEL SYSTEM PERIMETERS, PENETRATIONS, AND TRANSITIONS TO BE FLASHED AND SEALED PER THE REQUIREMENTS OF RAS 133.
4. THE 0.032" THICKNESS LISTED IS MINIMUM. THICKER PANELS ARE ALSO APPROVED.

DATE	1/24/24
REV.#	1
REV.	2023 CODE UPDATE
REV.	1ST SUBMITTAL
REV.	PRINTS ISSUED FOR

SCOTT WOLTERS
 SEAL: [Signature]
 NO. 62354
 STATE OF FLORIDA
 PROFESSIONAL ENGINEER

SCOTT WOLTERS
 FL PE# 62354
 WOLTERS ENGINEERING
 (COA# 27194)
 15211 97TH ROAD N
 WEST PALM BEACH, FL 33412
 (561) 225-1982

DYNAMIC METALS
 PH: (772) 247-2465
 FAX: (772) 247-2466
 PH: (239) 265-1638
 EMAIL: info@dynamicmetal.net

2951 SE DOMINICA TERRACE
 STUART, FL 34997
 2177 ANDREWS LANE
 FT. MYERS, FL 33912
 www.dynamicmetal.net

