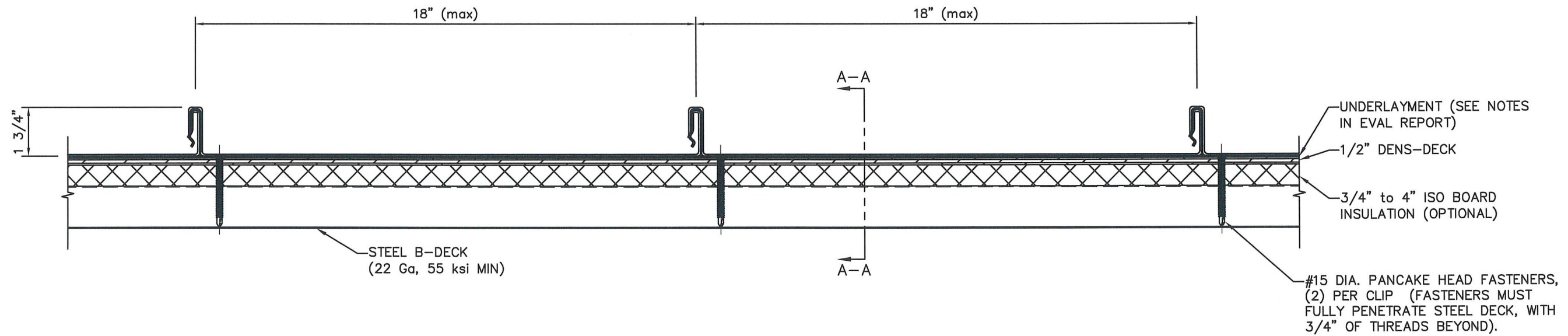
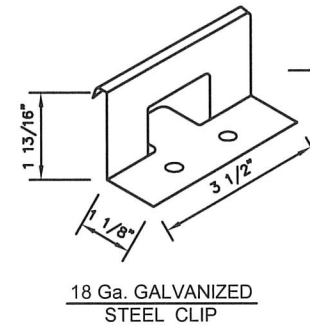
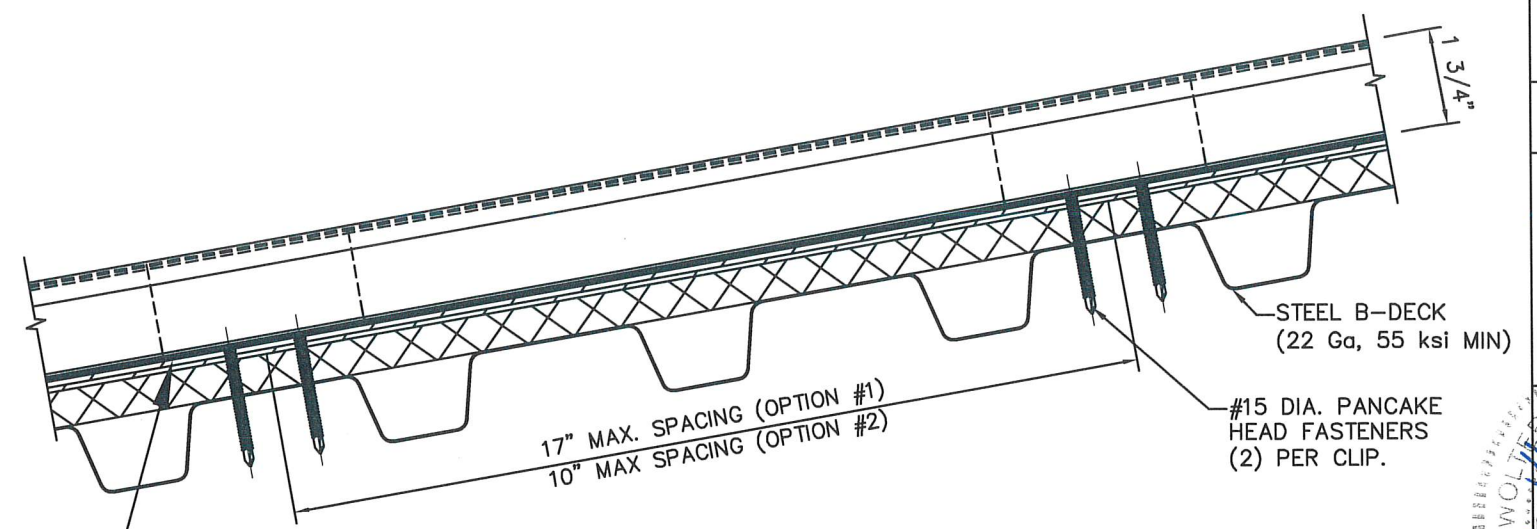
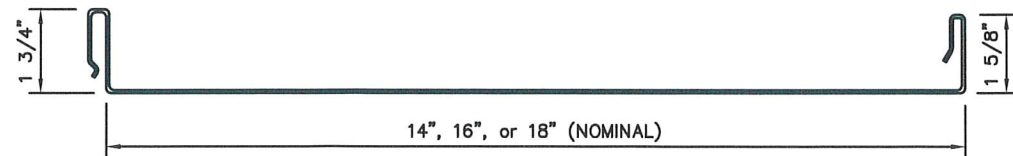


DYNAMIC CLASS 1750 24 Ga. GALVALUME
1 3/4" SNAPLOCK x 14", 16", or 18" WIDE ROOF PANEL
OVER STEEL B-DECK (22 ga. min).



MAX DESIGN PRESSURE
-131 Psf (OPTION #1)
-161 Psf (OPTION #2)



PANEL PROFILE

GENERAL NOTES:

1. ROOF SLOPE IS LIMITED PER THE REQUIREMENTS OF FBC SECTION 1507.4.2 or 1515.2.
2. DESIGN OF SUBSTRATE IS BY OTHERS AND NOT A PART OF THIS APPROVAL.
3. ALL PANEL SYSTEM PERIMETERS, PENETRATIONS, AND TRANSITIONS TO BE FLASHED AND SEALED PER THE REQUIREMENTS OF RAS 133.

DATE	10/17/22
REV.#	1
DESCRIPTION	2023 CODE UPDATE
DATE	1/31/24
REV.#	1
DESCRIPTION	1ST SUBMITTAL
DATE	10/17/22
REV.#	1
DESCRIPTION	PRINTS ISSUED FOR REV.#

SCOTT WOLTERS
 PROFESSIONAL ENGINEER
 NO. 62354
 STATE OF FLORIDA
 JAN 31 2014

SCOTT WOLTERS
 FL PE# 62354
 WOLTERS ENGINEERING
 (COA# 27194)
 15211 97TH ROAD N
 WEST PALM BEACH, FL 33412
 (561) 225-1982

DYNAMIC METALS
 PH: (772) 247-2465
 FAX: (772) 247-2466
 PH: (239) 265-1638
 EMAIL: info@dynamicmetal.net
 2951 SE DOMINICA TERRACE
 STUART, FL 34997
 2177 ANDREA LANE
 FT. MYERS, FL 33912
 www.dynamicmetal.net

